

YAMAHA

**OUTBOARD MOTOR
PARTS LIST**



MODEL 25A

MODEL 25AE

FOR EUROPE



YAMAHA MOTOR CO., LTD.

COPY RIGHT: ALL RIGHTS RESERVED

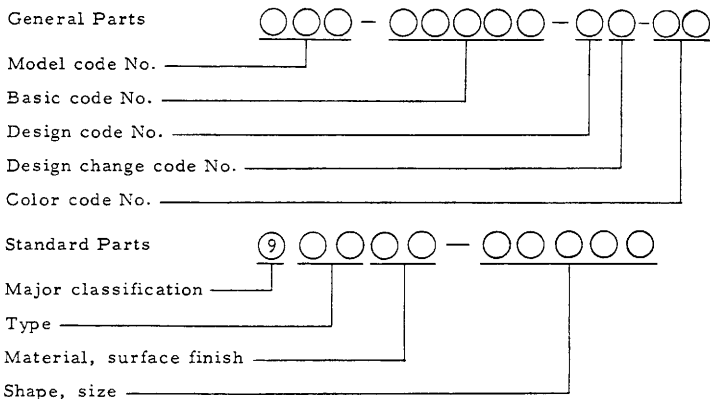
NO PART OF THIS PUBLICATION MAY BE REPRODUCED WITHOUT PERMISSION.

FOREWORD

This Parts List relates to the parts in use for the Yamaha Outboard motor 25A/25AE. When you are ordering replacement parts for the 25A/25E, refer to this Parts List and quote both part number and part names correctly.

1. Structure of Part No.

Yamaha parts are divided largely into two categories; general parts and standard parts, and each part No. has the following structure:



Note: Every standard No. begins with 9.

2. How to Use this Parts List

- (1) Except for steel balls (whose size is indicated in inches), the size of all parts is indicated in millimeters in the following manner.

Hose (rubber or vinyl)	Inside diameter - outside diameter - length
O-ring	Section area - inside diameter
Washer, shim, collar	Inside diameter - outside diameter - thickness (length)
Pin, dowel	Inside diameter - outside diameter - length

- (2) In the Parts List every component part of an assembly is so listed that each part name is indented one character from the left margin, and a dot (.) is attached before each. Parts, which are not for sale, may be omitted from the list.

Example

Description	Q'ty
CARBURETOR ASS'Y	1
. JET, pilot	1
. NOZZLE, main	1
.	
.	
.	
. LEVER, stater	1

(3) Key to symbols

- U.R Use size (thickness) and/or number as required
- U.N Use as many as you need
- S S type oil seal or S type circlip
- SD SD type oil seal
- SW SW type oil seal
- E E type circlip
- R R type circlip
- T Number of teeth in a gear
- * New parts number
- ☆ } Contents of gasket kit for power head
- ★ }
- ◇ } Contents of gasket kit for lower unit
- ◆ }
- } Contents of water pump repair kit
- }

- (4) In this parts list, the right and left with respect to positions of parts are determined viewing the boat hull from the stern.

(5) All spare parts used in the MODEL 25A/25AE, are listed in first edition of parts list for 25A/25AE (REF NO. 656-28198-E5). For your easy reference, we show the history of revision of the parts from the first engine of 25A/25AE. We shall request you to apply this list in future, instead of the old one which have even been supplied to you. Please pay attention to the number of column of engine number, when you place order with us, so that you can avoid the order for wrong parts.

(6) Indication for the revise of spare parts

The contents of this parts list is almost same as ordinary parts list. However, please note that this parts list have the indication of interchangeable parts. If any parts shown on the parts list have interchangeable parts, marks "◇" are indicated on the REMARKS.

Example

Parts No.	Description	Q'ty	Remarks
656-14301-03	CARBURETOR ASS'Y	1	◇
656-14301-04	CARBURETOR ASS'Y	1	

As soon as the parts marked by "◇" will be sold out, only the substituted parts will be sold automatically.

In other words, when 656-14301-03 will be sold out, only 656-14301-04 will be supplied to you instead of 656-14301-03.

(7) This Parts List was prepared on Aug., 10, 1976. If any part of the list is changed, it will be published in the Yamaha Parts News. It is requested, therefore, that you will keep this Parts List up-to-dated by making necessary corrections.

GASKET & REPAIR KIT

- ☆..... Indicates contents of gasket kit for power head.
25AS-14961~19025 25AES-26291~26825
L-51766~56705 L-55956~56255
- ★..... Indicates contents of gasket kit for power head.
25AS-19896~ 25AES-26871~
L-57891~ L-56256~
- ◇..... Indicates contents of gasket kit for lower unit.
25AS-14961~19025 25AES-26291~26825
L-51766~56705 L-55956~56255
- ◆..... Indicates contents of gasket kit for lower unit.
25AS-19896~ 25AES-26871~
L-57891~ L-56256~
- Indicates contents of water pump repair kit.
25AS-14961~ 25AES-26291~
L-51766~ L-55956~

GASKET & REPAIR KIT

Parts No.	Description	Q'ty 25A 25AE	Remarks
☆----- Contents of gasket kit for power head -----		{ 25AS-14961 ~ 19925 L-51766 ~ 56705 25AES-26291 ~ 26825 L-55996 ~ 56255	
656-W0001-00	GASKET KIT FOR POWER HEAD	1s 1s	
656-11181-03	GASKET, cylinder head	1 1	Ref. No. 1-23
648-12414-01	GASKET, cover	1 1	1-28
648-15369-00	GASKET, oil seal housing	1 1	1-34
656-41114-02	GASKET, exhaust cover	2 2	1-38
93210-14167	O-RING (1.9-14.0)	1 1	2-25
648-14198-00	GASKET	1 1	3-12
648-13645-00	GASKET, intake manifold 1	1 1	3-19
648-13621-00	PACKING, valve seat	1 1	3-21
648-14384-01	GASKET, float chamber	1 1	4-11
656-45113-00	GASKET, upper casing	1 1	5-2
648-44365-01	RUBBER, water seal 1	1 1	7-9
650-24431-00	GASKET, fuel pump	1 1	22-16
648-24564-02	PACKING, filter 1	1 1	23-6
★----- Contents of gasket kit for power head -----		{ 25AS-19896 ~ L-57891 ~ 25AES-26871 ~ L-56256 ~	
656-W0001-10	GASKET KIT FOR POWER HEAD	1s 1s	
656-11181-03	GASKET, cylinder head	1 1	Ref. No. 1-23
648-12414-01	GASKET, cover	1 1	1-28
648-15369-00	GASKET, oil seal housing	1 1	1-34
656-41114-02	GASKET, exhaust cover	2 2	1-38
93210-14167	O-RING (1.9-14.0)	1 1	2-25
648-14198-00	GASKET	1 1	3-12
648-13645-00	GASKET, intake manifold 1	1 1	3-19
648-13621-00	PACKING, valve seat	1 1	3-21
648-14384-01	GASKET, float chamber	1 1	4-11
656-45113-00	GASKET, upper casing	1 1	5-2

GASKET & REPAIR KIT

Parts No.	Description	Q'ty 25A 25AE	Remarks
648-44365-01	RUBBER, water seal 1	1 1	7-9
650-24431-00	GASKET, fuel pump	1 1	22-16
655-24564-00	PACKING, filter	1 1	23-10
93210-35339	O-RING (2.0-34.5)	1 1	23-12
◇----- Contents of gasket kit for lower unit ----- {			
656-W0001-20	GASKET KIT FOR LOWER UNIT	1s 1s	
648-45314-00	SEAL, lower casing	1 1	Ref. No. 6-8
90430-08020	GASKET	3 3	6-13
90430-06015	GASKET	1 1	6-15
93210-14104	O-RING (2.4-13.8)	1 1	6-27
93210-14106	O-RING (1.9-14)	1 1	6-40
93210-45161	O-RING (3.5-45)	1 1	6-66
◆----- Contents of gasket kit for lower unit ----- {			
656-W0001-30	GASKET KIT FOR LOWER UNIT	1s 1s	
648-45314-00	SEAL, lower casing	1 1	Ref. No. 6-8
90430-08020	GASKET	3 3	6-13
90430-06015	GASKET	1 1	6-15
93210-14106	O-RING (1.9-14)	1 1	6-40
93210-45161	O-RING (3.5-45)	1 1	6-66
□----- Contents of water pump repair kit ----- {			
656-W0078-00	WATER PUMP REPAIR KIT	1s 1s	
656-44355-00	PIN, impeller	1 1	Ref. No. 6-36
648-44311-00	HOUSING, water pump	1 1	7-1

25AS-14961 ~ 19025
L-51766 ~ 56705
25AES-26291 ~ 26825
L-55956 ~ 56255

25AS-19896 ~
L-57991 ~
25AES-26871 ~
L-56256 ~

25AS-14961 ~
L-51766 ~
25AES-26291 ~
L-55956 ~

GASKET & REPAIR KIT

Parts No.	Description	Q'ty		Remarks
		25A	25AE	
656-44352-02	IMPELLER	1	1	7-2
656-44323-00	OUTER PLATE, cartridge	1	1	7-3
90101-06M03	BOLT, hexagon	3	3	7-4
626-44365-01	RUBBER, water seal 1	1	1	7-6

CONTENTS

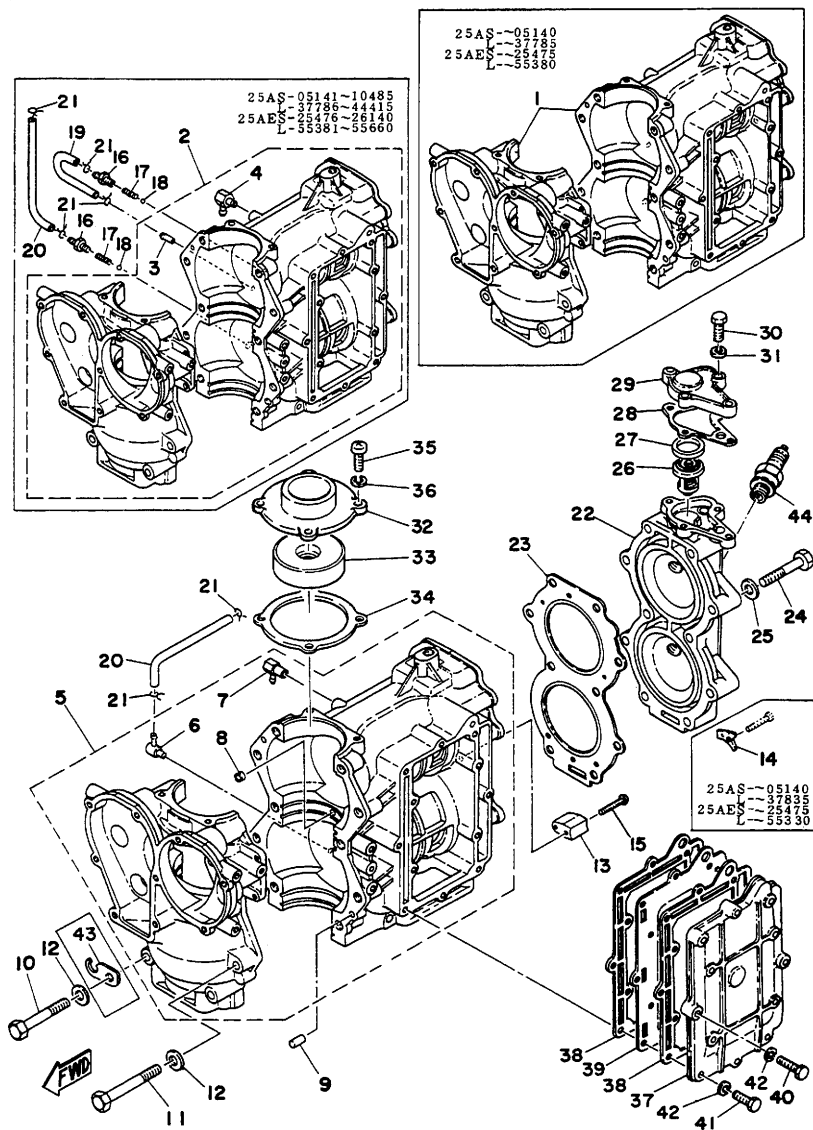
Fig. 1	Crankcase . Cylinder	1
Fig. 2	Crank . Piston	5
Fig. 3	Intake	9
Fig. 4	Carburetor	13
Fig. 5	Upper Casing	17
Fig. 6	Lower Casing . Drive	19
Fig. 7	Water Pump	27
Fig. 8	Bracket	29
Fig. 9	Tilt Lock	33
Fig. 10	Mounting	35
Fig. 11	Handle	39
Fig. 12	Gear Shift	43
Fig. 13	Throttle Control	45
Fig. 14	Electrical	49
Fig. 15	Flywheel Magneto (40W)	51
Fig. 16	Flywheel Magneto (80W)	53
Fig. 17	Electric Motor	55
Fig. 18	Electric Starter Unit	57
Fig. 19	Manual Starter	61
Fig. 20	Top Cowling	65
Fig. 21	Bottom Cowling	69
Fig. 22	Fuel Pump	73
Fig. 23	Piping	75
Fig. 24	Fuel Tank	77

OPTIONAL PARTS

Fig. 25	Remote Control	81
---------	----------------------	----

NUMERICAL INDEX

Fig. 1 CRANKCASE · CYLINDER



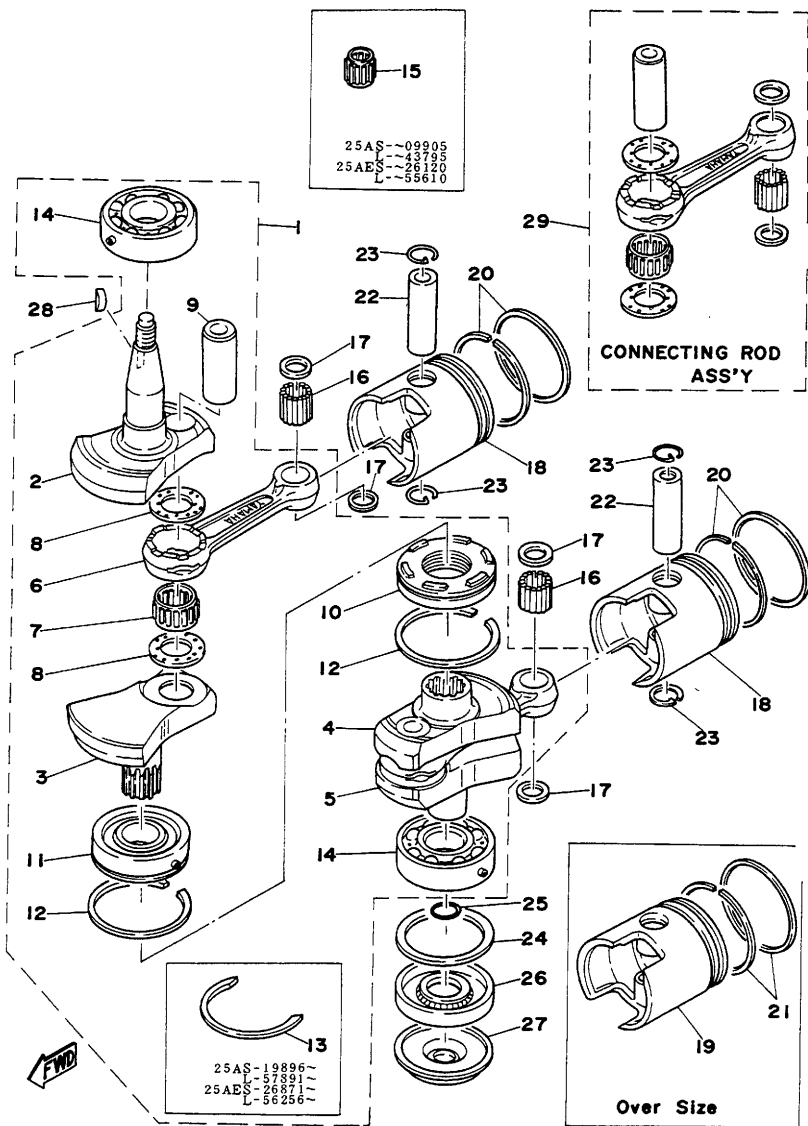
CRANKCASE · CYLINDER

Ref. No.	Parts No.	Description	Q'ty		Applicable Machine No.	Remarks
			25A	25AE		
1- 1	648-15100-09-94	CRANKCASE ASS'Y	1	1	25AS ~ 01195 L ~ 30525 25AES ~ 25190	
	656-15100-00-94	CRANKCASE ASS'Y	1	1		
1- 2	656-15100-60-94	CRANKCASE ASS'Y	1	1	25AS-05141 ~ 10485 L-37786 ~ 44415 25AES-25476 ~ 26140 L-55381 ~ 55660	
1- 3	624-14485-00	PIPE, joint	1	1		
1- 4	650-14485-02	PIPE, joint	1	1		
1- 5	656-15100-62-94	CRANKCASE ASS'Y	1	1	25AS-10486 ~ L-44416 ~ 25AES-26141 ~ L-55661 ~	
1- 6	650-14485-02	PIPE, joint	1	1		
1- 7	650-11370-00	CHECK VALVE ASS'Y	1	1		
1- 8	624-11379-00	VALVE, check 1	1	1		
1- 9	93606-12019	PIN, dowel B (6-12)	2	2		
1-10	97313-08055	BOLT, hexagon	8	8		
1-11	97313-08045	BOLT, hexagon	2	2	25AS ~ 10485 L ~ 44415 25AES ~ 26140 L ~ 55660	
	97313-08060	BOLT, hexagon	2	2		
1-12	648-11175-00	WASHER, plate	10	10		
1-13	656-11325-01	ANODE	1	1		
1-14	656-11165-00	PLATE, anode	1	1	25AS ~ 05140 L ~ 37835 25AES ~ 25475 L ~ 55330	
1-15	90150-04008	SCREW, special	2	2		
1-16	624-14588-01	CONNECTOR	2	2	25AS-05141 ~ 10485 L-37786 ~ 44415 25AES-25476 ~ 26140 L-55381 ~ 55660	
1-17	90501-02223	SPRING, compression	2	2		
1-18	93501-08001	BALL, steel (1/8 inch)	2	2		
1-19	655-24312-00	PIPE 2	1	1	25AS-05141 ~ L-37786 ~ 25AES-25476 ~ L-55381 ~ 25AS ~ 10485 L ~ 44415 25AES ~ 26140 L ~ 55660	
1-20	90445-07258	HOSE (2.5-7-200)	1	1		
1-21	90467-06016	CLIP	4	4		
	90467-06016	CLIP	2	2		
1-22	648-11111-09-94	HEAD, cylinder	1	1	25AS ~ 01675 L ~ 30765 25AES ~ 25215 L ~ 55180	
	656-11111-02-94	HEAD, cylinder	1	1		
1-23	648-11181-02	GASKET, cylinder head	1	1	25AS ~ 01675 L ~ 30765 25AES ~ 25215 L ~ 55180	
☆	656-11181-03	GASKET, cylinder head	1	1		

CRANKCASE · CYLINDER

Ref. No.	Parts No.	Description	Q'ty		Applicable Machine No.	Remarks
			25A	25AE		
1-24	97313-08045	BOLT, hexagon	10	10		
1-25	648-11175-00	WASHER, plate	10	10		
1-26	656-12411-01	THERMOSTAT	1	1		
1-27	648-12418-00	RING, thermostat	1	1	25AS ~ 15404 L ~ 52165 25AES ~ 26300 L ~ 55995	
	90201-21567	WASHER, plate	1	1	25AS-15405 ~ L-52166 ~ 25AES-26301 ~ L-55996 ~	
★ 1-28	648-12414-01	GASKET, cover	1	1		
★ 1-29	648-12413-02-94	COVER, thermostat	1	1	25AS ~ 15404 L ~ 52165 25AES ~ 26300 L ~ 55995	
	656-12413-01	COVER, thermostat	1	1	25AS-15405 ~ L-52166 ~ 25AES-26301 ~ L-55996 ~	
1-30	97323-06020	BOLT, hexagon	3	3		
1-31	92903-06100	WASHER, spring	3	3		
1-32	648-15359-00-94	HOUSING, oil seal	1	1	25AS ~ 19025 L ~ 56705 25AES ~ 26825 L ~ 56255	◇
	*656-15359-00-94	HOUSING, oil seal	1	1	25AS-19095 ~ L-57891 ~ 25AES-26871 ~ L-56256 ~	
1-33	93102-23096	OIL SEAL (SD-23-38-7)	1	1		
★ 1-34	648-15369-00	GASKET, oil seal housing	1	1		
1-35	92503-06020	SCREW, panhead	4	4		
1-36	92903-06100	WASHER, spring	4	4		
1-37	648-41113-09-94	OUTER COVER, exhaust	1	1	25AS ~ 01675 L ~ 30765 25AES ~ 25215 L ~ 55180	
	656-41113-00-94	OUTER COVER, exhaust	1	1	25AS-01676 ~ L-30766 ~ 25AES-25216 ~ L-55181 ~	
1-38	648-41114-01	GASKET, exhaust cover	2	2	25AS ~ 01675 L ~ 30765 25AES ~ 25215 L ~ 55180	
	656-41114-02	GASKET, exhaust cover	2	2	25AS-01676 ~ L-30766 ~ 25AES-25216 ~ L-55181 ~	
★ 1-39	648-41111-00	INNER COVER, exhaust	1	1	25AS ~ 01675 L ~ 30765 25AES ~ 25215 L ~ 55180	
	656-41111-01	INNER COVER, exhaust	1	1	25AS-01676 ~ L-30766 ~ 25AES-25216 ~ L-55181 ~	
1-40	97323-06030	BOLT, hexagon	9	9		
1-41	97323-06025	BOLT, hexagon	3	3		
1-42	92903-06100	WASHER, spring	12	12		
1-43	90465-20061	CLAMP (648-82544-40)	1	1	25AS ~ 10485 L ~ 44415 25AES ~ 26140 L ~ 55660	
	648-82544-00	CLAMP	1	1	25AS-10486 ~ 14960 L-44416 ~ 51760 25AES-26141 ~ 26290 L-55661 ~ 55955	
1-44	94701-00040	PLUG, spark (B-7HS)	2	2		

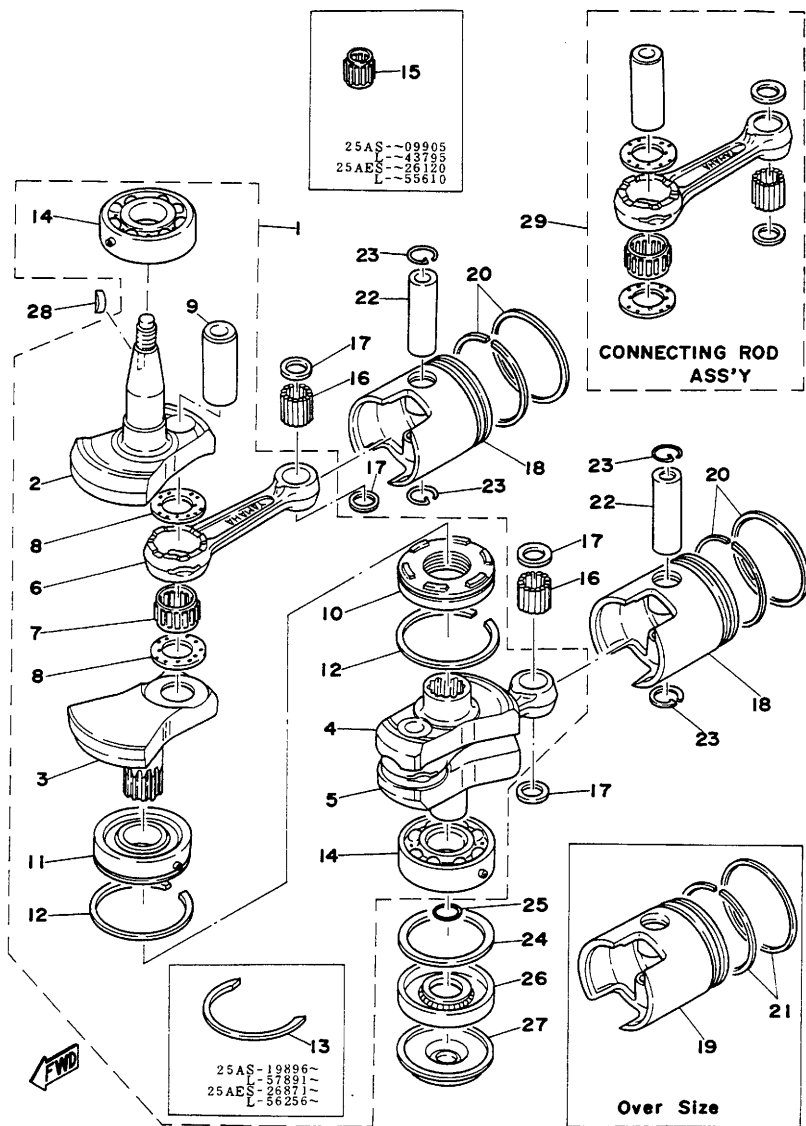
Fig. 2 CRANK · PISTON



CRANK · PISTON

Ref. No.	Parts No.	Description	Q'ty		Applicable Machine No.	Remarks	
			25A	25AE			
2- 1	648-11400-61	CRANK ASS'Y	1	1			
2- 2	648-11412-01	. CRANK 1	1	1			
2- 3	648-11422-01	. CRANK 2	1	1			
2- 4	648-11432-01	. CRANK 3	1	1			
2- 5	648-11442-02	. CRANK 4	1	1			
2- 6	648-11651-01	. ROD, connecting	2	2			
2- 7	93310-522A4	. BEARING, con-rod big end	2	2			
2- 8	90209-22071	. WASHER (164-11685-00)	4	4			
2- 9	648-11681-00	. PIN, crank	2	2			
2-10	656-11515-00	. SEAL, labyrinth	1	1			
2-11	93390-00009	. BEARING, roller (9000)	1	1			
2-12	93440-62021	. CIRCLIP (62φ special)	2	2		25AS ~ 19025 L ~ 56705 25AES ~ 26825 L ~ 56255	
	93440-62021	. CIRCLIP (62φ special)	1	1			25AS-19896 ~ L-57891 ~ 25AES-26871 ~ L-56256 ~
2-13	* 93440-62057	. CIRCLIP (62φ special)	1	1			
2-14	93306-30516	. BEARING (B6305)	2	2			
2-15	93310-21889	BEARING, con-rod small end	2	2		25AS ~ 09905 L ~ 43795 25AES ~ 26120 L ~ 55610	
2-16	93602-20115	BEARING, con-rod small end	62	62			
2-17	90201-18522	WASHER	4	4		25AS-09906 ~ L-43796 ~ 25AES-26121 ~ L-55611 ~	
2-18	656-11631-60-96	PISTON (Standard 66.96mm)			
	656-11631-60-97	PISTON (Standard 66.97mm)	} U.R U.R		
	656-11631-60-98	PISTON (Standard 66.98mm)			
2-19	656-11635-60	PISTON (Over Size 67.25mm)	2	2			
	656-11636-60	PISTON (Over Size 67.50mm)	2	2			
2-20	656-11610-01	PISTON RING SET (Standard)	2s	2s			
2-21	656-11610-11	PISTON RING SET (Over Size 67.25mm)	2s	2s			
	656-11610-21	PISTON RING SET (Over Size 67.50mm)	2s	2s			
2-22	648-11633-00	PIN, piston	2	2			
2-23	93450-20026	CLIP, piston pin (604-11634-00)	4	4			

Fig. 2 CRANK · PISTON



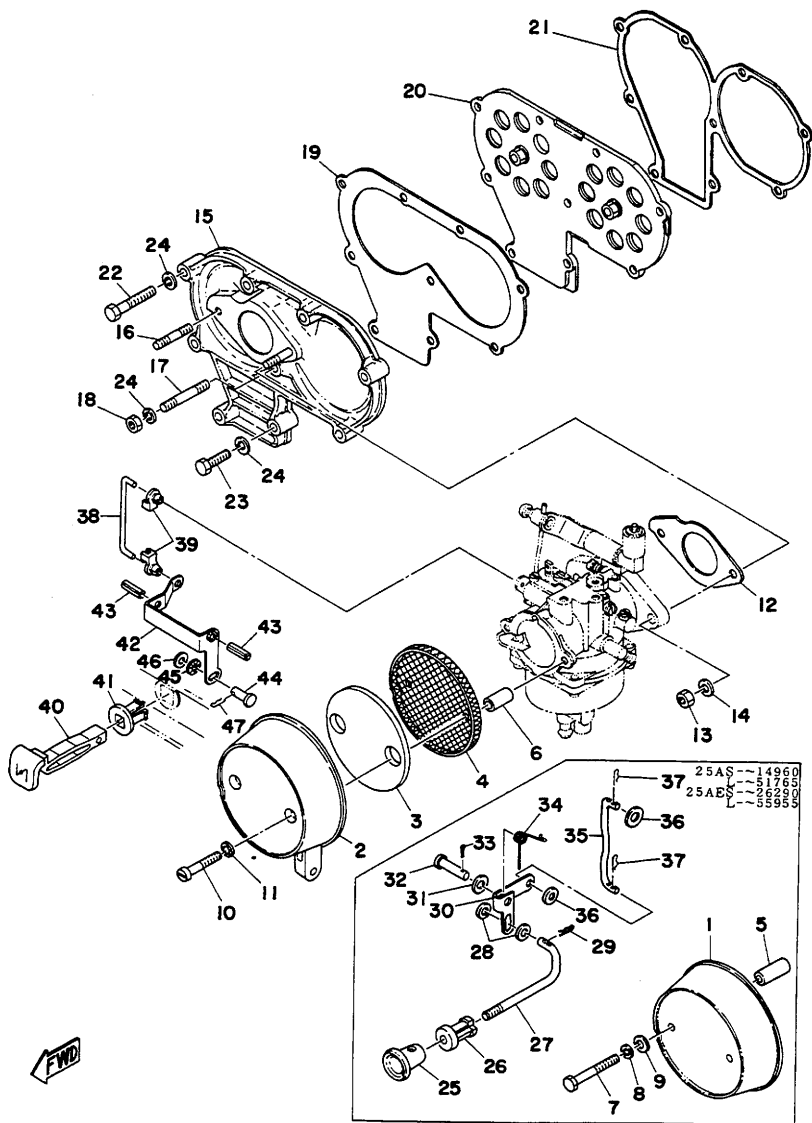
CRANK · PISTON

Ref. No.	Parts No.	Description	Q'ty		Applicable Machine No.	Remarks
			25A	25AE		
2-24	90201-50306	WASHER, plate (648-11587-00) ..	1	1		
★ 2-25	93210-14167	O-RING (1.9-14.0)	1	1		
2-26	93102-25097	OIL SEAL (SD-25-62-8)	1	1	25AS ~ 05140 L ~ 37835 25AES ~ 25475 L ~ 25330 25AS-05141~ L-37836~ 25AES-25476~ L-25331~	
	93102-25114	OIL SEAL (SD-25-62-7)	1	1		
2-27	93104-14047	OIL SEAL (SD-14-62.5-12)	1	1		
2-28	90280-05013	KEY, woodruff	1	1		

OPTIONAL PARTS

2-29	648-11650-00	CONNECTING ROD ASS'Y	2	2		Ref. No. 6,7,8,9,16,17
------	--------------	----------------------------	---	---	--	---------------------------

Fig. 3 INTAKE

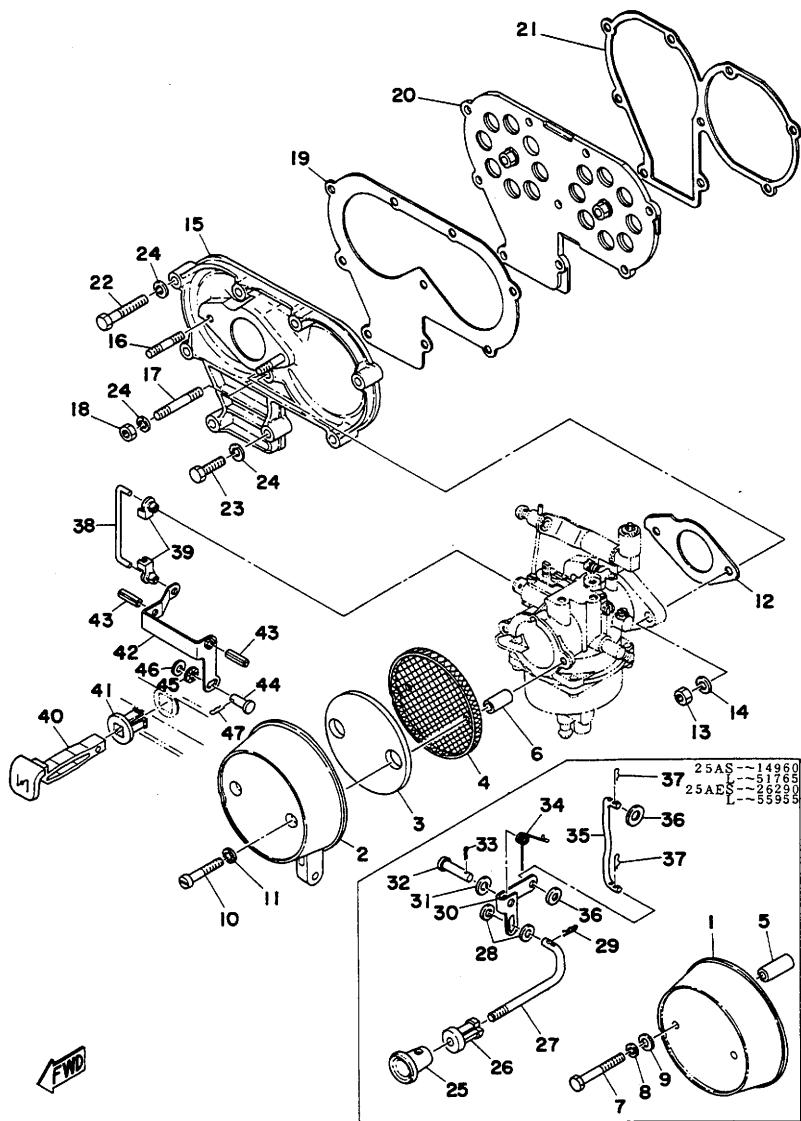


FWD

INTAKE

Ref. No.	Parts No.	Description	Q'ty		Applicable Machine No.	Remarks
			25A	25AE		
3- 1	648-14417-00	COVER	1	1	25AS: ~ 14960 L: ~ 51765 25AES: ~ 26290 L: ~ 55955	
3- 2	664-14417-00	COVER	1	1		
3- 3	648-14451-00	ELEMENT 1	1	1		
3- 4	648-14461-00	ELEMENT 2	1	1	25AS: ~ 19025 L: ~ 56705 25AES: ~ 26825 L: ~ 56255	
3- 5	90387-06029	COLLAR (648-14443-00)	2	2		
3- 6	90387-06494	COLLAR	2	2	25AS: ~ 14960 L: ~ 51765 25AES: ~ 29290 L: ~ 55955	
3- 7	97323-05040	BOLT, hexagon	2	2		
3- 8	92903-05100	WASHER, spring	2	2	25AS: ~ 14960 L: ~ 51765 25AES: ~ 29290 L: ~ 55956	
3- 9	92903-05600	WASHER, plate	2	2		
3-10	98503-05035	SCREW, panhead	2	2		
3-11	92903-05300	WASHER, tooth	2	2	25AS: ~ 14961 ~ L: ~ 51766 ~ 25AES: ~ 26291 ~ L: ~ 55956 ~	
☆ ★ 3-12	648-14198-00	GASKET	1	1		
3-13	95303-06600	NUT, hexagon	2	2		
3-14	92903-06600	WASHER, plate	2	2		
3-15	648-13641-01-94	MANIFOLD, intake	1	1		
3-16	90116-06122	BOLT, stud (648-13558-00)	2	2		
3-17	90116-06119	BOLT, stud (626-44144-00)	1	1	25AS: ~ 05140 L: ~ 37835 25AES: ~ 25475 L: ~ 55330	
	90116-06147	BOLT, stud (647-13568-00)	1	1		
3-18	95303-06600	NUT, hexagon	1	1		
☆ ★ 3-19	648-13645-00	GASKET, intake manifold 1	1	1		
3-20	648-13610-00	REED VALVE ASS'Y	1	1		
☆ ★ 3-21	648-13621-00	PACKING, valve seat	1	1		
3-22	97323-06035	BOLT, hexagon	7	6		
3-23	97323-06020	BOLT, hexagon	2	2		
3-24	92903-06100	WASHER, spring	9	8		
3-25	648-41227-00	KNOB	1	1	25AS: ~ 14960 L: ~ 51765 25AES: ~ 26290 L: ~ 55955	
3-26	648-41292-01	BUSHING 2	1	1		
3-27	648-41257-01	ROD, choke link 2	1	1		
3-28	92990-05200	WASHER, plain	2	2		
3-29	90468-10005	CLIP (626-41235-00)	1	1		

Fig. 3 INTAKE

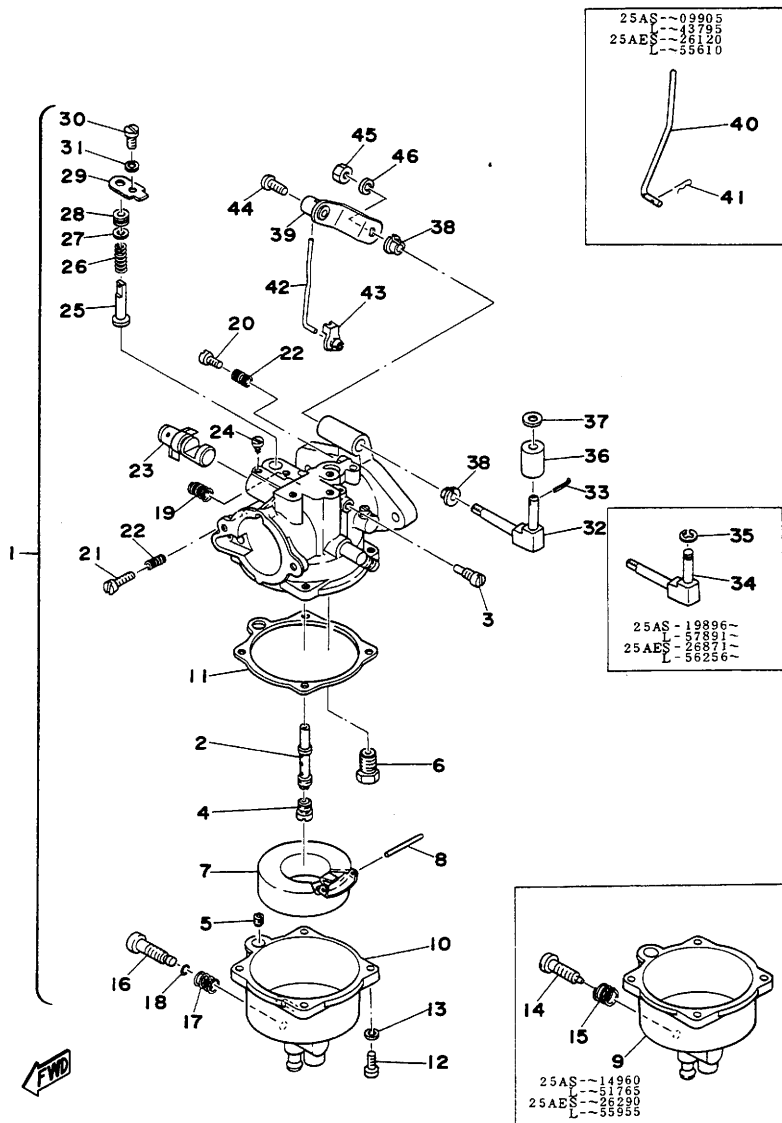


37	25AS	--	14960
	L	--	51765
	25AES	--	56290
	L	--	55955

INTAKE

Ref. No.	Parts No.	Description	Q'ty		Applicable Machine No.	Remarks
			25A	25AE		
3-30	648-41252-01	LEVER, choke 1	1	1	25AS. ~ 09905 L. ~ 43795 25AES. ~ 26120 L. ~ 55610 25AS-09906 ~ 14960 L. ~ 43796 ~ 51765 25AES. ~ 26121 ~ 26290 L. ~ 55611 ~ 55955	
	656-41252-00	LEVER, choke 1	1	1		
3-31	92990-05200	WASHER, plain	2	2	25AS. ~ 14960 L. ~ 51765 25AES. ~ 26290 L. ~ 55955	
3-32	91790-05022	PIN, clevis 2	1	1		
3-33	91490-16010	PIN, cotter	1	1	25AS. ~ 05070 L. ~ 38435 25AES. ~ 25545 L. ~ 55380	
3-34	90508-09182	SPRING, torsion (648-41265-00)	1	1		
3-35	648-41256-00	ROD, choke link 1	1	1	25AS-09906 ~ L. ~ 43796 ~ 25AES-26121 ~ L. ~ 55611 ~	
3-36	92990-03200	WASHER, plain	2	2		
3-37	90468-10004	CLIP (626-41236-00)	2	2	25AS-14861 ~ L. ~ 51766 ~ 25AES-29291 ~ L. ~ 55956 ~	
3-38	656-41256-00	ROD, choke link 1	1	1		
3-39	661-41262-02	JOINT, choke lever	2	2	25AS. ~ 14861 ~ L. ~ 51766 ~ 25AES-29291 ~ L. ~ 55956 ~	
3-40	656-41271-00	KNOB, choke 1	1	1		
3-41	90480-12154	GROMMET	1	1	25AS. ~ 14861 ~ L. ~ 51766 ~ 25AES-29291 ~ L. ~ 55956 ~	
3-42	656-41252-01	LEVER, choke 1	1	1		
3-43	91690-40016	PIN, spring	2	2	25AS. ~ 14861 ~ L. ~ 51766 ~ 25AES-29291 ~ L. ~ 55956 ~	
3-44	90240-05044	PIN, with hole	1	1		
3-45	90206-05005	WASHER, wave	1	1	25AS. ~ 14861 ~ L. ~ 51766 ~ 25AES-29291 ~ L. ~ 55956 ~	
3-46	90201-05028	WASHER, plate	1	1		
3-47	90468-10005	CLIP (626-41235-00)	1	1	25AS. ~ 14861 ~ L. ~ 51766 ~ 25AES-29291 ~ L. ~ 55956 ~	

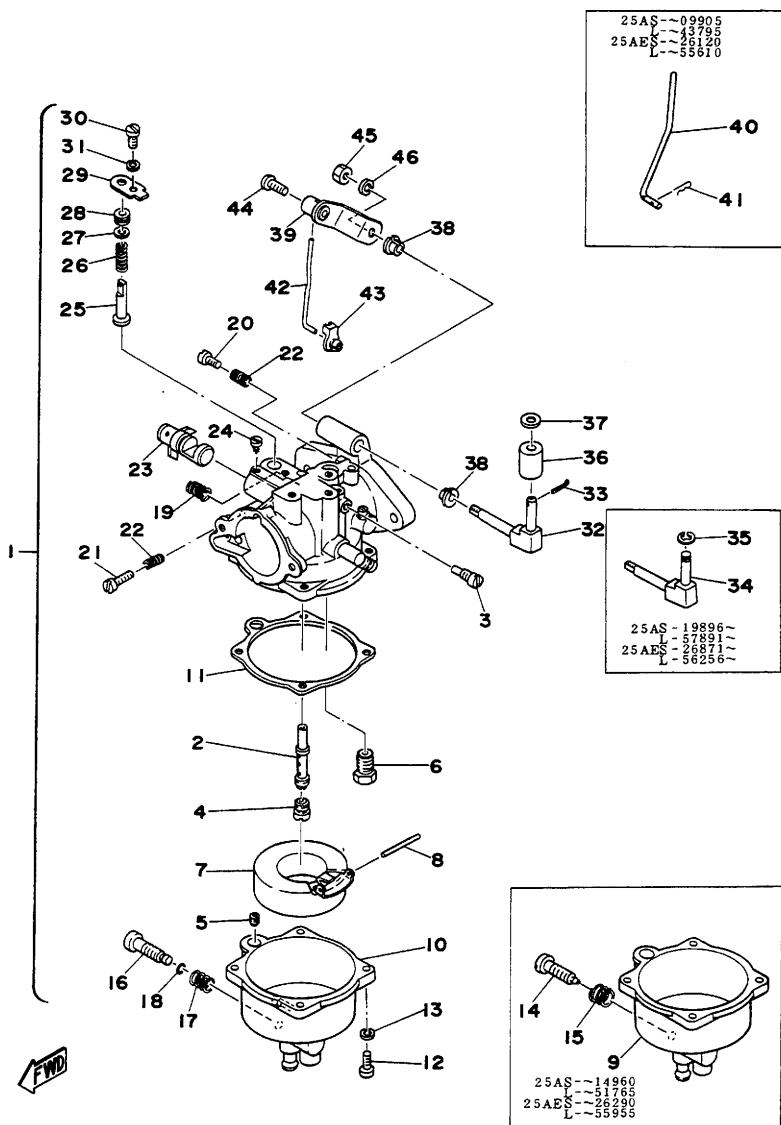
Fig. 4 CARBURETOR



CARBURETOR

Ref. No.	Parts No.	Description	Q'ty		Applicable Machine No.	Remarks	
			25A	25AE			
4- 1	648-14301-09	CARBURETOR ASS'Y	1	1	25AS ~ 01195 L ~ 30525 25AES ~ 26140 L ~ 35660 25AS-01195 ~ 14960 L ~ 30526 ~ 51765 25AES-26141 ~ 26290 L-55661 ~ 55955 25AS-14961 ~ L-51766 ~ 25AES-26291 ~ L-55956 ~	◇	
	656-14301-03	CARBURETOR ASS'Y	1	1			
	656-14301-04	CARBURETOR ASS'Y	1	1			
4- 2	648-14341-00	. NOZZLE, main	1	1			
4- 3	648-14342-30	. JET, pilot (#60)	1	1			
4- 4	648-14343-70	. JET, main (#140)	1	1			
4- 5	648-14344-35	. JET, starter (#70)	1	1			
4- 6	648-14390-14	. VALVE SEAT ASS'Y	1	1			
4- 7	648-14385-00	. FLOAT	1	1			
4- 8	648-14386-00	. PIN, float	1	1			
4- 9	656-14381-00	. BODY, float chamber	1	1	25AS ~ 14960 L ~ 51765 25AES ~ 26290 L ~ 55955 25AS-14961 ~ L-51766 ~ 25AES-26291 ~ L-55956 ~		
4-10	656-14381-02	. BODY, float chamber	1	1			
★ ★	4-11	648-14384-01	. GASKET, float chamber	1	1		
4-12	98503-04012	. SCREW, panhead	4	4			
4-13	92990-04100	. WASHER, spring	4	4			
4-14	650-14394-01	. VALVE, drain	1	1	25AS ~ 14960 L ~ 51765 25AES ~ 26290 L ~ 55955		
4-15	650-14223-00	. SPRING, drain valve	1	1			
4-16	646-14394-00	. VALVE, drain	1	1	25AS-14961 ~ L-51766 ~ 25AES-26291 ~ L-55956 ~		
4-17	646-14223-01	. SPRING, drain valve	1	1			
4-18	646-14397-00	. O-RING	1	1			
4-19	648-14331-00	. SPRING, throttle valve	1	1			
4-20	648-14323-00	. SCREW, air adjusting	1	1			
4-21	648-14321-00	. SCREW, throttle	1	1			
4-22	648-14334-00	. SPRING, air adjusting	2	2			
4-23	648-14375-00	. LEVER, starter 1	1	1	25AS ~ 09905 L ~ 43795 25AES ~ 26120 L ~ 35610 25AS-09906 ~ L-43796 ~ 25AES-26121 ~ L-55611 ~		
	656-14375-00	. LEVER, starter 1	1	1			
4-24	626-14326-00	. SCREW, guide	1	1			

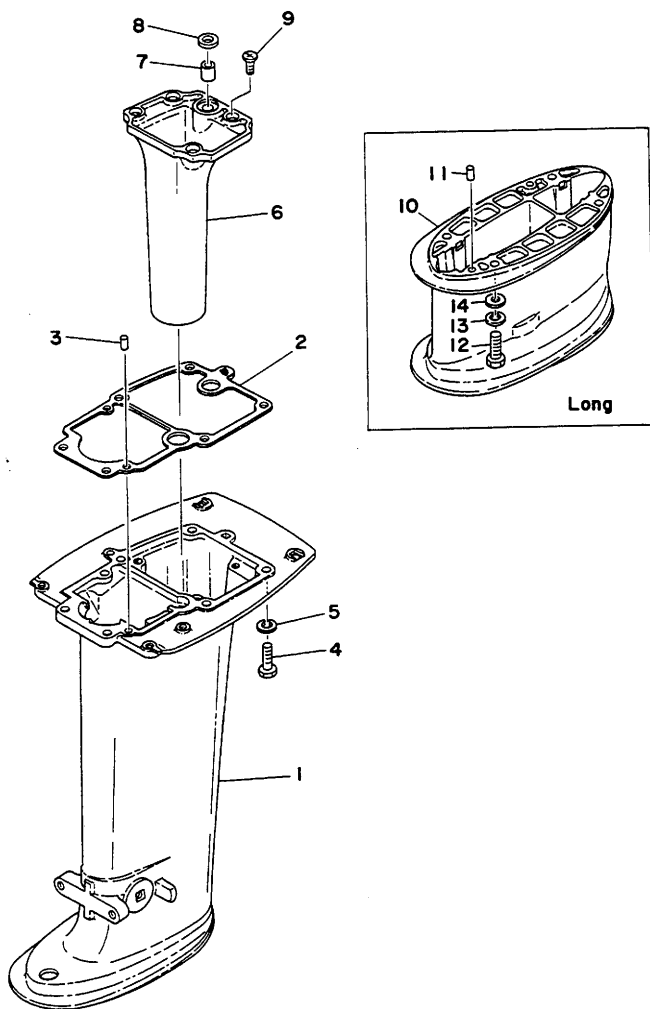
Fig. 4 CARBURETOR



CARBURETOR

Ref. No.	Parts No.	Description	Q'ty		Applicable Machine No.	Remarks
			25A	25AE		
4-25	648-14371-01	. PLUNGER, starter	1	1		
4-26	648-14335-01	. SPRING, plunger	1	1		25AS ~ 14960 L ~ 51755
	656-14335-00	. SPRING, plunger	1	1		25AES ~ 26290 L ~ 55955
4-27	648-14378-00	. PLATE, starter lever 1	1	1		25AS-14961 ~ L-51766 ~ 25AES-26291 ~ L-55956 ~
4-28	648-14372-02	. SEAL, plunger	1	1		
4-29	648-14374-01	. CAP, plunger	1	1		
4-30	98503-04008	. SCREW, panhead	1	1		
4-31	92990-04100	. WASHER, spring	1	1		
4-32	648-41216-00	. SHEAVE SHAFT, accel-link	1	1		25AS ~ 19025 L ~ 56705
4-33	91490-12008	. PIN, cotter	1	1		25AES ~ 26825 L ~ 56255
4-34	* 648-41216-01	. SHEAVE SHAFT, accel-link	1	1		25AS-19896 ~ L-57891 ~
4-35	* 93430-04031	. CIRCLIP (E-4)	1	1		25AES-26871 ~ L-56256 ~
4-36	626-41231-00	. COLLAR, guide pin	1	1		
4-37	92990-05200	. WASHER, plain	1	1		
4-38	90386-05002	. BUSHING (626-41291-00)	2	2		
4-39	648-41210-01	. ACCEL-ARM ASS'Y	1	1		
4-40	648-41241-01	. ROD 1	1	1		25AS ~ 09905 L ~ 43795
4-41	90468-10004	. PIN, hair (626-41236-00)	1	1		25AES ~ 26120 L ~ 55610
4-42	656-41241-00	. ROD 1	1	1		25AS-09006 ~ L-43796 ~
4-43	661-41262-02	. JOINT, choke lever	1	1		25AES-26121 ~ L-55611 ~
4-44	98503-05010	. SCREW, panhead	1	1		
4-45	95303-05700	. NUT	1	1		
4-46	92990-05100	. WASHER, spring	1	1		

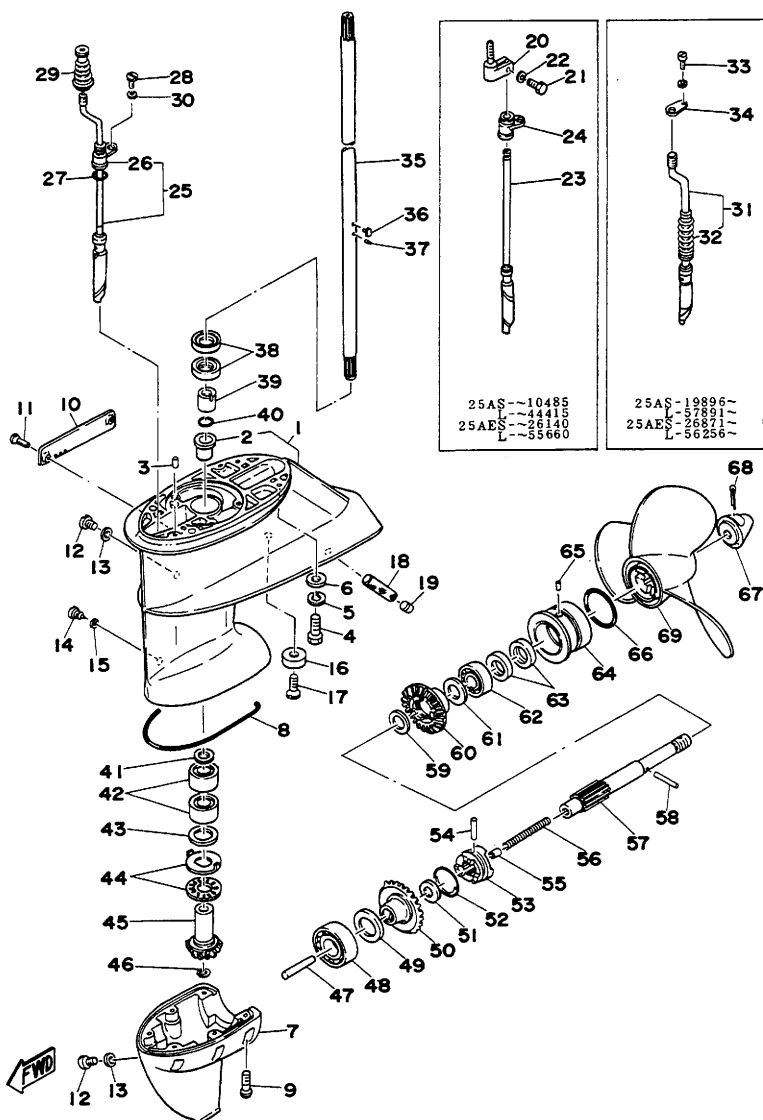
Fig. 5 UPPER CASING



UPPER CASING

Ref. No.	Parts No.	Description	Q'ty		Applicable Machine No.	Remarks
			25A	25AE		
5- 1	656-45111-01-F6	CASING, upper	1	1		Metallic Ocean Blue
★ 5- 2	656-45113-00	GASKET, upper casing	1	1		
5- 3	93606-12019	PIN, dowel B (6-12)	2	2		
5- 4	97370-08025	BOLT, hexagon	6	6	{ 25AS~05140 L~37835 25AES~25475 L~55330 25AS-05141~ L-37834 25AES-25476~ L-55331~	
	97370-08030	BOLT, hexagon	6	6		
5- 5	92990-08100	WASHER, spring	6	6		
5- 6	648-41130-00-94	EXHAUST MANIFOLD ASS'Y	1	1		
5- 7	648-12494-00	SEAL, pipe 2	1	1		
5- 8	90430-09025	GASKET (648-41133-01)	1	1		
5- 9	92780-06015	SCREW, flathead	4	4		
5-10	656-45211-11-F6	EXTENSION (Long 127mm)	1	1		Metallic Ocean Blue
5-11	93606-12019	PIN, dowel B (6-12)	2	2		
5-12	97370-08025	BOLT, hexagon	4	4	{ 25AS~14105 L~40810 25AES~26260 L~55910 25AS-14106~ L-49811~ 25AES-26261~ L-55911~	
	97370-08030	BOLT, hexagon	4	4		
5-13	92990-08100	WASHER, spring	4	4		
5-14	92990-08600	WASHER, plate	4	4	{ 25AS-14106~ L-49811~ 25AES-26261~ L-55911~	

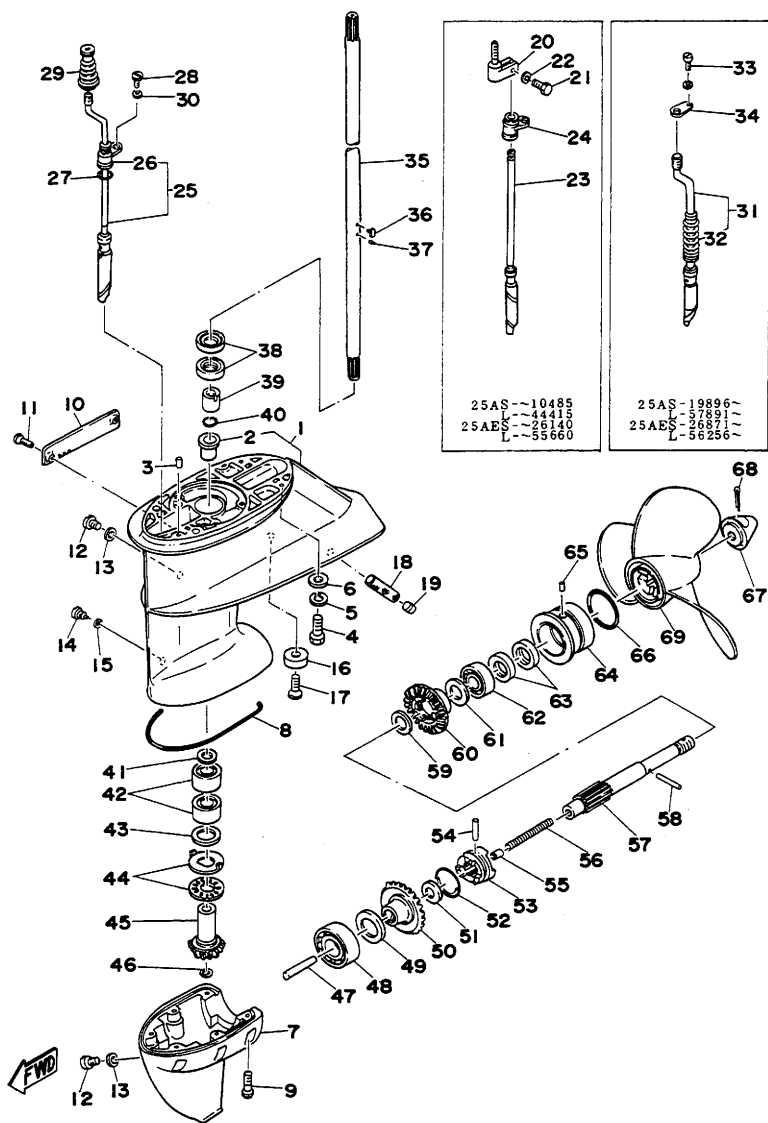
Fig. 6 LOWER CASING DRIVE



LOWER CASING DRIVE

Ref. No.	Parts No.	Description	Q'ty		Applicable Machine No.	Remarks
			25A	25AE		
6- 1	656-45301-00-F6	LOWER CASING COMP. 1	1	1		Metallic Ocean Blue
6- 2	648-45316-09	. BUSHING, drive shaft	1	1		
6- 3	93606-12019	PIN, dowel B (6-12)	2	2		
6- 4	97370-08025	BOLT, hexagon	4	4	[25AS- ~14105 L- ~49810 25AES- ~26240 L- ~55910 25AS-14106~ L-49811~ 25AES-26261~ L-55911~]	
	97370-08030	BOLT, hexagon	4	4		
6- 5	92990-08100	WASHER, spring	4	4		
6- 6	92990-08600	WASHER, plate	4	4	[25AS-14106~ L-49811~ 25AES-26261~ L-55911~]	
6- 7	648-45312-00-F6	CASING, lower 2	1	1		Metallic Ocean Blue
◆ 6- 8	648-45314-00	SEAL, lower casing	1	1		
6- 9	97470-06025	BOLT, hexagon	6	6		
6-10	656-45214-00-F6	COVER, water inlet 1	1	1		Metallic Ocean Blue
6-11	98180-05015	SCREW, ovalhead	2	2		
6-12	90340-08014	PLUG, straight (647-45341-00)	3	3		
◆ 6-13	90430-08020	GASKET (604-45342-00)	3	3		
◆ 6-14	90149-06003	SCREW, detent (626-44165-00)	1	1		
◆ 6-15	90430-06015	GASKET (626-44166-00)	1	1		
6-16	616-45251-30	ANODE	1	1		
6-17	92180-06018	SCREW, ovalhead	1	1		
6-18	626-45215-00	COVER, water inlet 2	1	1		
6-19	90334-10008	PLUG, straight (626-45247-00)	1	1		
6-20	648-44145-00	CONNECTOR, shift rod 1	1	1	[25AS- ~10485 L- ~44415 25AES- ~26140 L- ~55660]	
6-21	97370-06015	BOLT, hexagon	1	1		
6-22	92990-06100	WASHER, spring	1	1		
6-23	648-44150-00	SHIFT CAM ASS'Y (Standard 253.5mm)	1	1		
	648-44150-10	SHIFT CAM ASS'Y (Long 380.5mm)	1	1		
6-24	650-44152-01	BUSHING, shift cam	1	1		

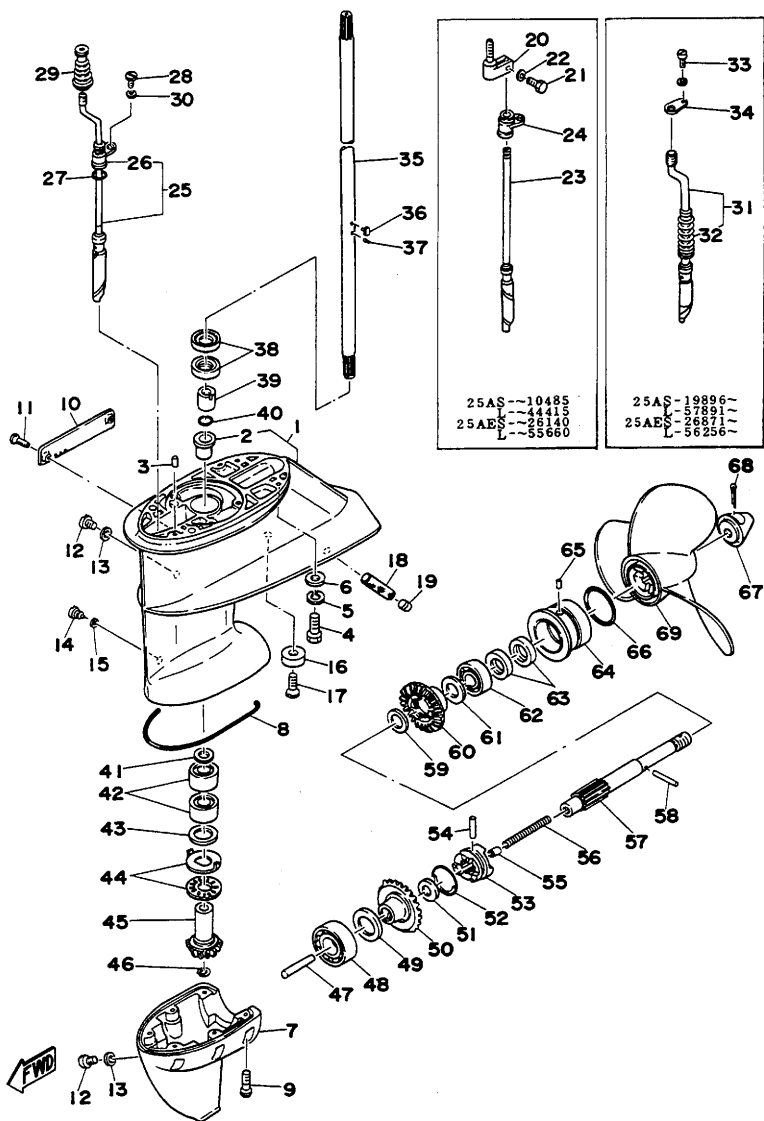
Fig. 6 LOWER CASING · DRIVE



LOWER CASING DRIVE

Ref. No.	Parts No.	Description	Q'ty		Applicable Machine No.	Remarks
			25A	25AE		
6-25	656-44150-00	SHIFT CAM ASS'Y (Standard 291.5mm)	1	1		
	656-44150-10	SHIFT CAM ASS'Y (Long 418.5mm)	1	1		
6-26	650-44152-01	. BUSHING, shift cam	1	1		
◇ 6-27	93210-14104	O-RING (2.4-13.8)	1	1		
6-28	92380-06012	SCREW, cylinderhead	1	1		
6-29	647-44147-00	BOOT, shift rod	1	1		
6-30	92990-06600	WASHER, plate	1	1		
6-31	* 656-44150-01	SHIFT CAM ASS'Y (Standard 291.5mm)	1	1		
	* 656-44150-11	SHIFT CAM ASS'Y (Long 418.5mm)	1	1		
6-32	* 650-44147-00	. BOOT, shift rod	1	1		
6-33	92590-06010	SCREW, cylinderhead	1	1		
6-34	* 650-45321-00	PLATE	1	1		
6-35	656-45511-00	SHAFT, drive 1 (Standard 635mm)	1	1		
	656-45511-10	SHAFT, drive 1 (Long 762mm) . . .	1	1		
□ 6-36	656-44355-00	PIN, impeller	1	1		
6-37	90249-04023	PIN (626-45524-00)	1	1		
6-38	93101-20048	OIL SEAL (S-20-30-6)	2	2		
6-39	626-45526-00	COLLAR, drive shaft 1	1	1		
◇ 6-40	93210-14106	O-RING (1.9-14)	1	1		
6-41	626-45534-00-04	THRUST WASHER (14.3-19-0.4)	U.N	U.N		
6-42	93318-32204	BEARING, needle	2	2		
6-43	648-45533-00-02	THRUST WASHER (22.5-31-0.2)	}	}	U.R	U.R
	648-45533-00-03	THRUST WASHER (22.5-31-0.3)				
6-44	93341-22008	BEARING, thrust needle (#4000)	1	1		
6-45	648-45551-00	PINION (13T)	1	1		
6-46	93410-12003	CIRCLIP (S-12)	1	1		
6-47	648-45635-00	PLUNGER, shift	1	1		

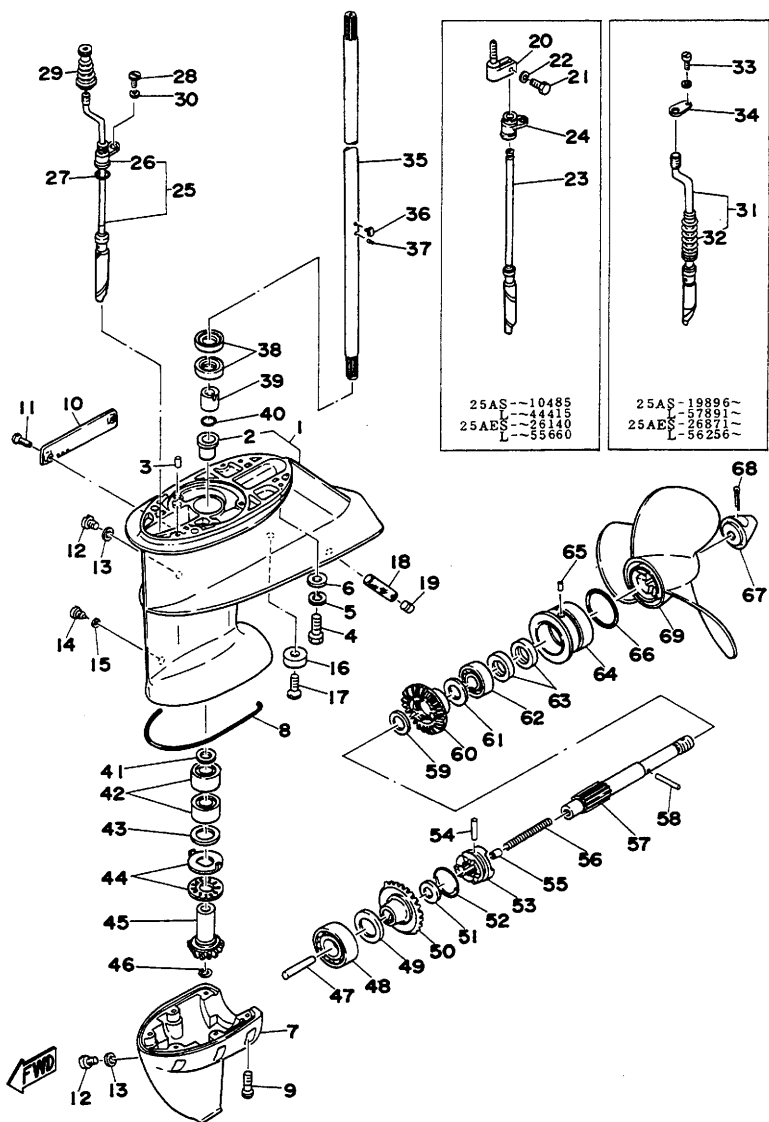
Fig. 6 LOWER CASING DRIVE



LOWER CASING DRIVE

Ref. No.	Parts No.	Description	Q'ty		Applicable Machine No.	Remarks
			25A	25AE		
6-48	93306-20529	BEARING (B6205)	1	1		
6-49	648-45567-00-02	SHIM 1 (25.5-38-0.2)	}	}	U.R	U.R
	648-45567-00-03	SHIM 1 (25.5-38-0.3)				
6-50	648-45560-01	GEAR 1 ASS'Y (23T)	1	1		
6-51	90201-14482	WASHER, plate (648-45566-01)	1	1		
6-52	648-45633-00	RING, cross pin	1	1		
6-53	656-45631-00	CLUTCH, dog	1	1		
6-54	90250-05010	PIN, straight (648-45632-00)	1	1		
6-55	648-45634-00	SLIDE, shift	1	1		
6-56	90501-10065	SPRING (648-45636-00)	1	1		
6-57	648-45611-01	SHAFT, propeller	1	1		
6-58	90250-05011	PIN, straight (648-45615-00)	1	1		
6-59	90201-17485	WASHER, plate (648-45576-01)	1	1		
6-60	648-45570-01	GEAR 2 ASS'Y (23T)	1	1		
6-61	648-45577-00-13	SHIM 2 (17-30-1.3)	}	}	U.R	U.R
	648-45577-00-15	SHIM 2 (17-30-1.5)				
	648-45577-00-17	SHIM 2 (17-30-1.7)				
6-62	93306-20309	BEARING, ball (B6203)	1	1		
6-63	93101-17054	OIL SEAL (S-17-30-6)	2	2		
6-64	648-45361-01-94	CAP, lower casing	1	1		
6-65	93604-09068	PIN, dowel B (3.5-9)	1	1		
6-66	93210-45161	O-RING (3.5-45)	1	1		
6-67	626-45616-01	NUT, propeller	1	1		25AS~19025 L~56705 25AES~26825 L~56253
	*650-45616-00	NUT, propeller	1	1		25AS~19896~ L~57891~ 25AES~26871~ L~56256~
6-68	91490-30030	PIN, cotter	1	1		

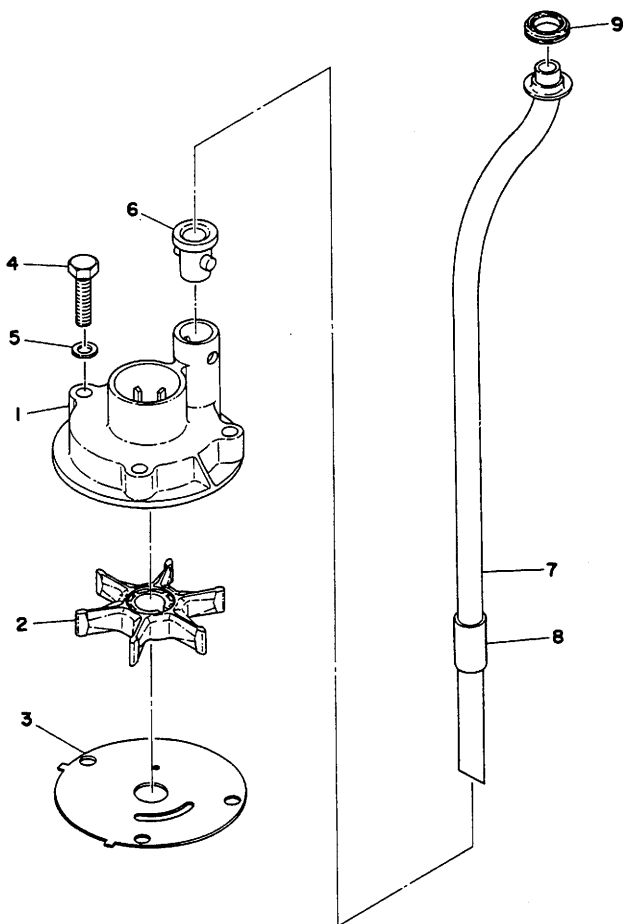
Fig. 6 LOWER CASING - DRIVE



LOWER CASING-DRIVE

Ref. No.	Parts No.	Description	Q'ty 25A 25AE	Applicable Machine No.	Remarks
6-69	626-45943-02-36	PROPELLER ASS'Y 2 (3 x 9 $\frac{1}{4}$ x 10 $\frac{1}{2}$ -D)			White
	626-45949-01-36	PROPELLER ASS'Y 5 (3 x 9 $\frac{1}{4}$ x 9 -D)			White
	648-45926-01-38	PROPELLER ASS'Y 8 (2 x 9 $\frac{1}{4}$ x 10 -D)			
	648-45941-01-36	PROPELLER ASS'Y 1 (3 x 9 x 11 -D)			White
	648-45941-61-36	PROPELLER ASS'Y 1 (3 x 9 $\frac{1}{4}$ x 10 $\frac{1}{2}$ -D)		U.R U.R 1 1	White
	648-45945-61-36	PROPELLER ASS'Y 3 (3 x 8 $\frac{1}{4}$ x 9-D)			White
	650-45941-01-36	PROPELLER ASS'Y 1 (3 x 9 x 8 -D)			White
	656-45943-61-36	PROPELLER ASS'Y 2 (3 x 9 $\frac{1}{4}$ x 11 $\frac{1}{2}$ -D)			White

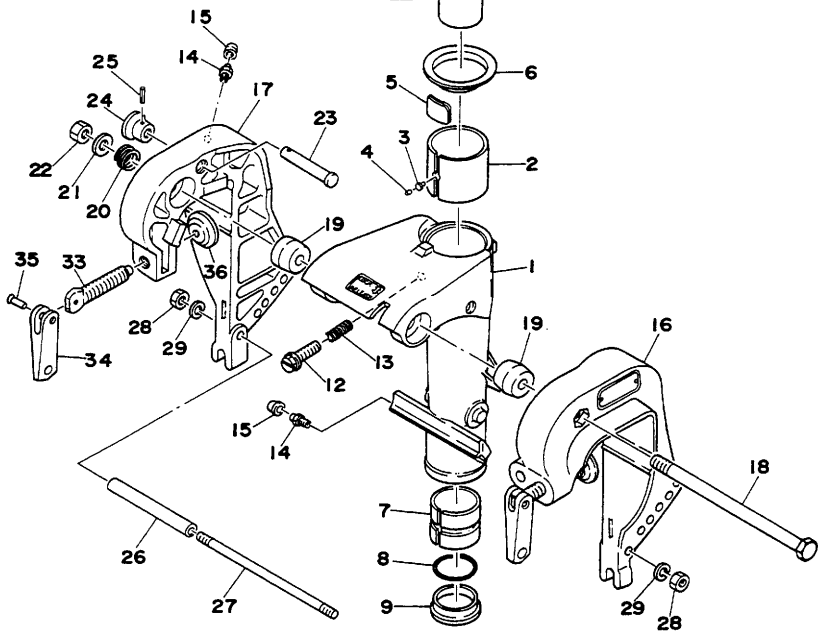
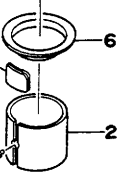
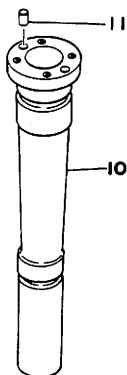
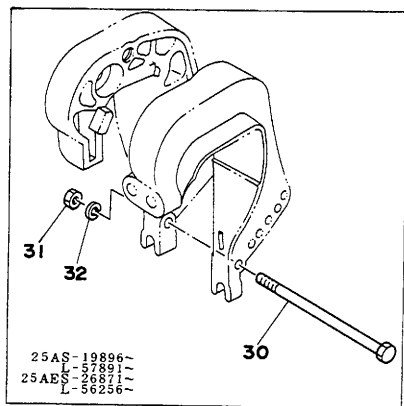
Fig.7 WATER PUMP



WATER PUMP

Ref. No.	Parts No.	Description	Q'ty		Applicable Machine No.	Remarks	
			25A	25AP			
□ 7- 1	648-44311-00	HOUSING, water pump	1	1			
□ 7- 2	656-44352-02	IMPELLER	1	1			
□ 7- 3	656-44323-00	OUTER PLATE, cartridge	1	1			
□ 7- 4	90101-06M03	BOLT, hexagon	3	3			
7- 5	92990-06600	WASHER, plate	3	3			
□ 7- 6	626-44365-01	RUBBER, water seal 1	1	1			
7- 7	648-44361-01	TUBE, water 1 (Standard 363mm)	1	1	25AS- ~ 14960 L- ~ 51765 LL- ~ 61640 25AES- ~ 26290 L- ~ 55955		
	648-44361-11	TUBE, water 1 (Long 490mm)	1	1			
	656-44361-00	TUBE, water 1 (Standard 370mm)	1	1		25AS-14961 ~ L-51766 ~ LL-61641 ~ 25AES-26291 ~ L-55956 ~	
	656-44361-10	TUBE, water 1 (Long 497mm)	1	1			
7- 8	90445-11285	HOSE (9-11-25)	1	1			
☆ 7- 9	648-44365-01	RUBBER, water seal 1	1	1			

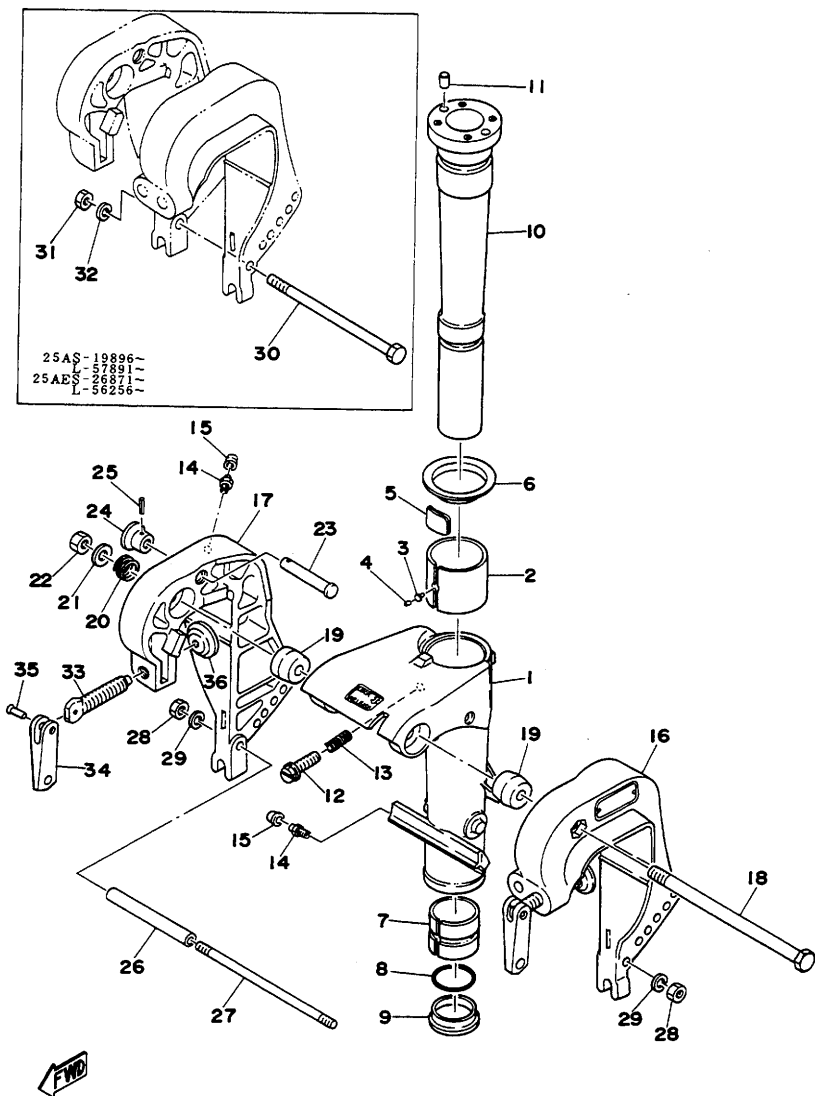
Fig. 8 BRACKET



BRACKET

Ref. No.	Parts No.	Description	Q'ty		Applicable Machine No.	Remarks
				25A 25AE		
8- 1	648-43311-09-F6	BRACKET, swivel 1	1	1	25AS-~14960 L-~51765 25AES-~26290 L-~55955 25AS-14961~ L-51766~ 25AES-26191~ L-55956~	Metallic Ocean Blue
	656-43311-00-F6	BRACKET, swivel 1	1	1		
8- 2	90386-47091	BUSHING	1	1	25AS-~14960 L-~51765 25AES-~26290 L-~55955 25AS-14961~ L-51766~ 25AES-26191~ L-55956~	
	90386-47092	BUSHING	1	1		
8- 3	90241-03001	PIN, with head (626-43336-00)	1	1		
8- 4	90334-04002	PLUG (626-43396-00)	1	1		
8- 5	648-42528-00	PIECE, friction 1	1	1		
8- 6	90209-47016	WASHER (648-42535-00)	1	1		
8- 7	90386-38090	BUSHING	1	1		
8- 8	93210-37160	O-RING (2.5-37)	1	1		
8- 9	90386-38022	BUSHING (648-42539-00)	1	1		
8-10	648-42521-01-F6	SHAFT, steering pivot 1	1	1		Metallic Ocean Blue
8-11	93608-12063	PIN, dowel B (8-12)	2	2		
8-12	90149-08005	SCREW (648-42529-00)	1	1		
8-13	90501-16099	SPRING (648-42524-00)	1	1		
8-14	93700-06004	NIPPLE, grease	2	2		
8-15	663-45119-00	CAP, grease nipple	2	2		
8-16	648-43111-02-F6	BRACKET, clamp 1	1	1	25AS-~02252 L-~31090 25AES-~25315 L-~55210 25AS-02253~ L-31091~ 25AES-25316~ L-55211~	Metallic Ocean Blue
	656-43111-01-F6	BRACKET, clamp 1	1	1		
8-17	648-43112-02-F6	BRACKET, clamp 2	1	1	25AS-~05140 L-~37835 25AES-~26475 L-~55330 25AS-05141~ L-37836~ 25AES-26476~ L-55331~	Metallic Ocean Blue
	656-43112-02-F6	BRACKET, clamp 2	1	1		
8-18	90101-10107	BOLT (648-43131-00)	1	1	25AS-~00595 L-~30375 25AS-00596~ L-30376~ 25AES-55101~ L-55101~	
	656-43131-00	BOLT, clamp bracket	1	1		
8-19	648-43136-00	PIECE, friction	2	2		
8-20	90504-59006	SPRING (626-43198-00)	1	1		
8-21	90201-10130	WASHER, friction (615-43132-00)	1	1		
8-22	95380-10600	NUT, hexagon	1	1		
8-23	656-43191-00	SHAFT, stopper	1	1		
8-24	648-43192-00-F6	KNOB, stopper	1	1		Metallic Ocean Blue

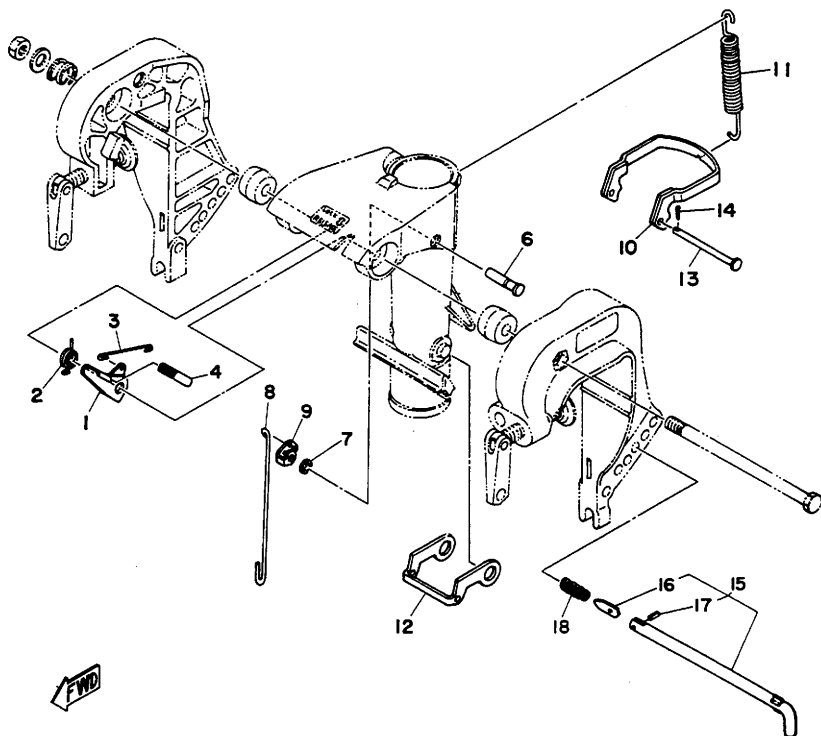
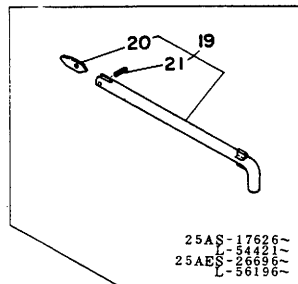
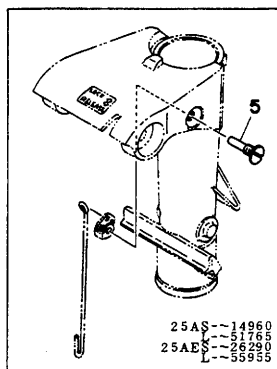
Fig. 8 BRACKET



BRACKET

Ref. No.	Parts No.	Description	Q'ty		Applicable Machine No.	Remarks
			25A	25AB		
8-25	91690-30016	PIN, spring	1	1		
8-26	90387-09074	COLLAR (648-43122-00)	1	1		
8-27	90116-08105	BOLT, stud (648-43123-00)	1	1		
8-28	95380-08600	NUT, hexagon	2	2	25AS ~ 19025 L ~ 56705 25AES ~ 26825 L ~ 56255	
8-29	92990-08100	WASHER, spring	2	2		
8-30	*90101-08339	BOLT, hexagon	1	1	25AS-19894~ L-57891~ 25AES-26871~ L-56256~	
8-31	95380-08600	NUT, hexagon	1	1		
8-32	92990-08100	WASHER, spring	1	1		
8-33	90149-14030	SCREW (648-43116-00)	2	2		
8-34	616-43118-00-F6	HANDLE, transom clamp	2	2		Metallic Ocean Blue
8-35	90243-04001	PIN (620-43117-00)	2	2		
8-36	648-43114-01	PAD, transom clamp	2	2		

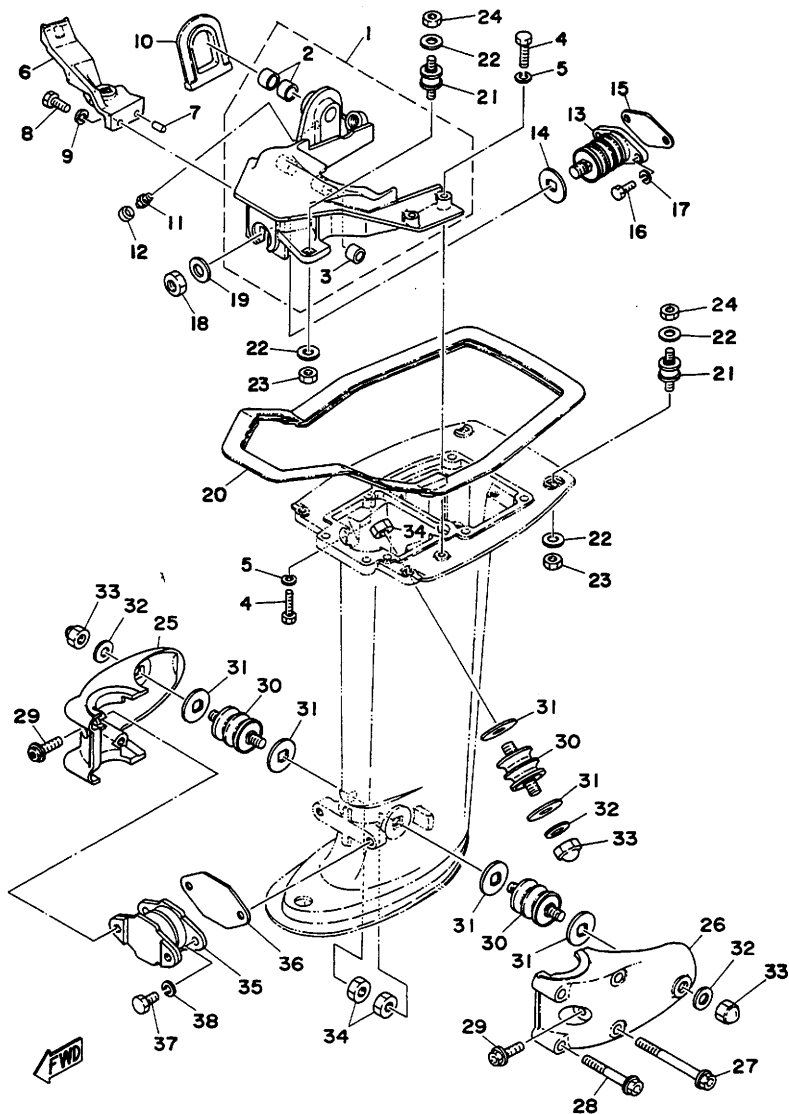
Fig. 9 TILT LOCK



TILT LOCK

Ref. No.	Parts No.	Description	Q'ty		Applicable Machine No.	Remarks
			25A	25AE		
9- 1	648-43631-00	LEVER, tilt 1	1	1	{ 25AS ~ 19925 L ~ 56765 25AES ~ 26825 L ~ 56255 25AS-19894 ~ L-57891 ~ 25AES-26871 ~ L-56256 ~	
	656-43631-00	LEVER, tilt 1	1	1		
9- 2	90508-16018	SPRING, torsion (648-43619-00) ..	1	1		
9- 3	648-43616-00	ROD, tilt lock 1	1	1		
9- 4	648-43633-00	COVER, tilt lock 1	1	1		
9- 5	90149-08004	SCREW (626-43645-00)	1	1	{ 25AS ~ 14960 L ~ 51765 25AES ~ 26290 L ~ 55955	
9- 6	90249-06120	PIN	1	1		
9- 7	93430-05027	CIRCLIP	1	1	{ 25AS-14961 ~ L-51766 ~ 25AES-26291 ~ L-55956 ~	
9- 8	648-43617-00	ROD, tilt lock 2	1	1		
9- 9	648-43642-00	LEVER, tilt lock 2	1	1		
9-10	648-43614-00-F6	PLATE, tilt lock 1	1	1		Metallic Ocean Blue
9-11	90506-30055	SPRING, tension (648-43656-00) ..	1	1		
9-12	648-43615-00-F6	PLATE, tilt lock 2	1	1		Metallic Ocean Blue
9-13	90240-05046	PIN, with hole	1	1		
9-14	91490-16010	PIN, cotter	2	2	{ 25AS ~ 14960 L ~ 51765 25AES ~ 26260 L ~ 55955 25AS-14961 ~ L-51766 ~ 25AES-26261 ~ L-55956 ~	
	91490-16010	PIN, cotter	1	1		
9-15	656-43160-00	TILT ROD ASS'Y	1	1	{ 25AS ~ 17625 L ~ 54420 25AES ~ 26695 L ~ 56195	
9-16	656-43165-00	. STOPPER PLATE	1	1		
9-17	91690-30008	. PIN, spring	1	1		
9-18	90502-10014	SPRING, conical (611-43162-00) ..	1	1		
9-19	656-43160-01	TILT ROD ASS'Y	1	1	{ 25AS 17626 ~ L-54421 ~ 25AES-26694 ~ L-56196 ~	
9-20	656-43165-01	. STOPPER PLATE	1	1		
9-21	91690-30008	. PIN, spring	1	1		

Fig. 10 MOUNTING



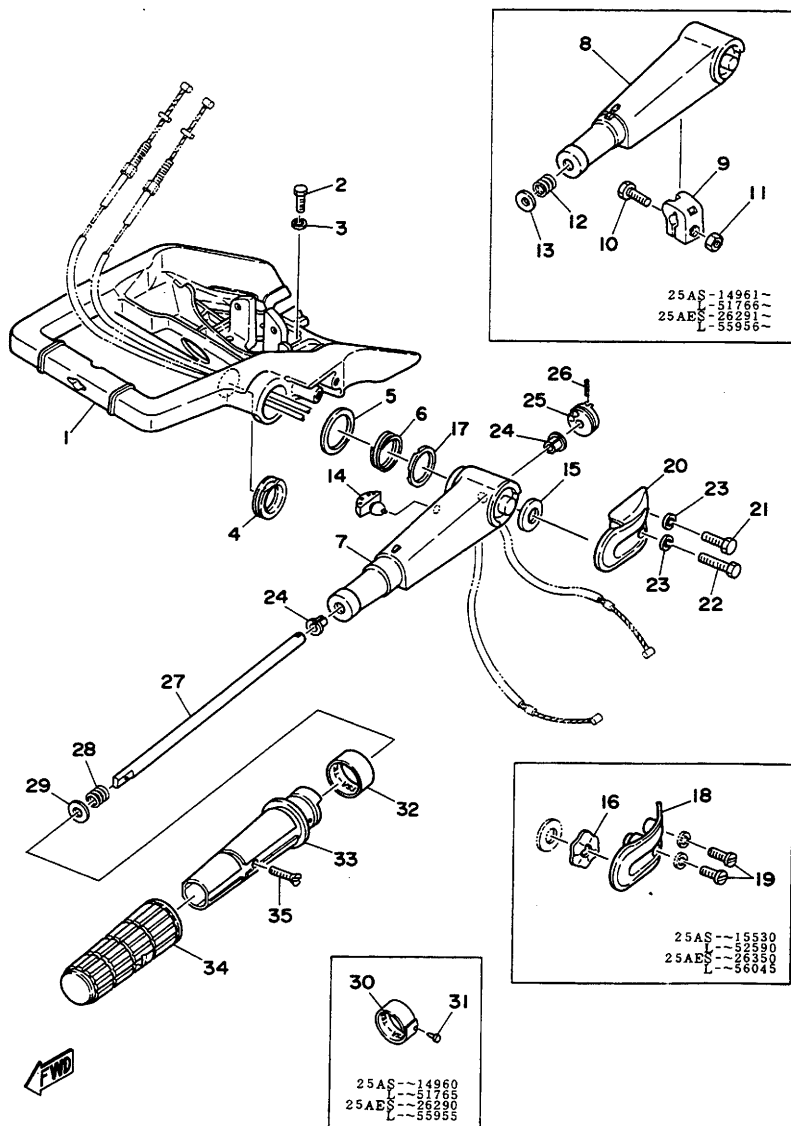
MOUNTING

Ref. No.	Parts No.	Description	Q'ty		Applicable Machine No.	Remarks
			25A	25AE		
10- 1	648-44508-00-F6	BRACKET COMP.	1	1		Metallic Ocean Blue
10- 2	90380-12012	. BUSHING, solid (648-44122-00)	2	2		
10- 3	90380-10010	. BUSHING, solid (648-44185-00)	2	2		
10- 4	97370-06025	BOLT, hexagon	4	4		
10- 5	92990-06100	WASHER, spring	4	4		
10- 6	648-44519-00-F6	BRACKET 2	1	1		Metallic Ocean Blue
10- 7	93606-12019	PIN, dowel B (6-12)	1	1		
10- 8	97370-06018	BOLT, hexagon	1	1		
10- 9	92990-06100	WASHER, spring	1	1		
10-10	648-42718-00	RUBBER, seal 3	1	1		
10-11	93700-06004	NIPPLE, grease	1	1		
10-12	663-45119-00	CAP, grease nipple	1	1		
10-13	648-44516-02	MOUNT RUBBER, upper front ..	1	1		
10-14	648-44591-00	GASKET, mount rubber 1	1	1	} 25AS-03171~ L-32596~ 25AES-25316~ L-35211~	
10-15	648-44592-00	GASKET, mount rubber 2	1	1		
10-16	97370-06015	BOLT, hexagon	2	2		
10-17	92990-06100	WASHER, spring	2	2		
10-18	92880-10200	NUT	1	1		
10-19	92990-10200	WASHER, plain	1	1		
10-20	648-42716-00	RUBBER, seal 1	1	1		
10-21	648-44517-00	MOUNT RUBBER, upper	4	4		
10-22	92990-08600	WASHER, plate	8	8		
10-23	95303-08700	NUT, hexagon	4	4		
10-24	95380-08700	NUT, hexagon	4	4		
10-25	648-44551-01-F6	HOUSING, lower mount rubber 1	1	1		Metallic Ocean Blue
10-26	648-44552-01-F6	HOUSING, lower mount rubber 2	1	1		
10-27	97470-08080	BOLT, hexagon	2	2		Metallic Ocean Blue
10-28	97470-08050	BOLT, hexagon	2	2		
10-29	97470-08020	BOLT, hexagon	2	2		

MOUNTING

Ref. No.	Parts No.	Description	Q'ty		Applicable Machine No.	Remarks
			25A	25AE		
10-30	648-44555-02	MOUNT RUBBER, lower side	4	4		
10-31	648-44591-00	GASKET, mount rubber 1	8	8		{ 25AS-03171~ L-32596~ 25AES-25316~ L-55211~
10-32	92990-10200	WASHER, plain	4	4		
10-33	92890-10700	NUT, crown	4	4		
10-34	92880-10200	NUT, hexagon	4	4		
10-35	648-44557-03	MOUNT RUBBER, lower front ..	1	1		
10-36	648-44593-00	GASKET, mount rubber 3	1	1		{ 25AS-03171~ L-32596~ 25AES-25316~ L-55211~
10-37	97370-08015	BOLT, hexagon	2	2		
10-38	92990-08100	WASHER, spring	2	2		

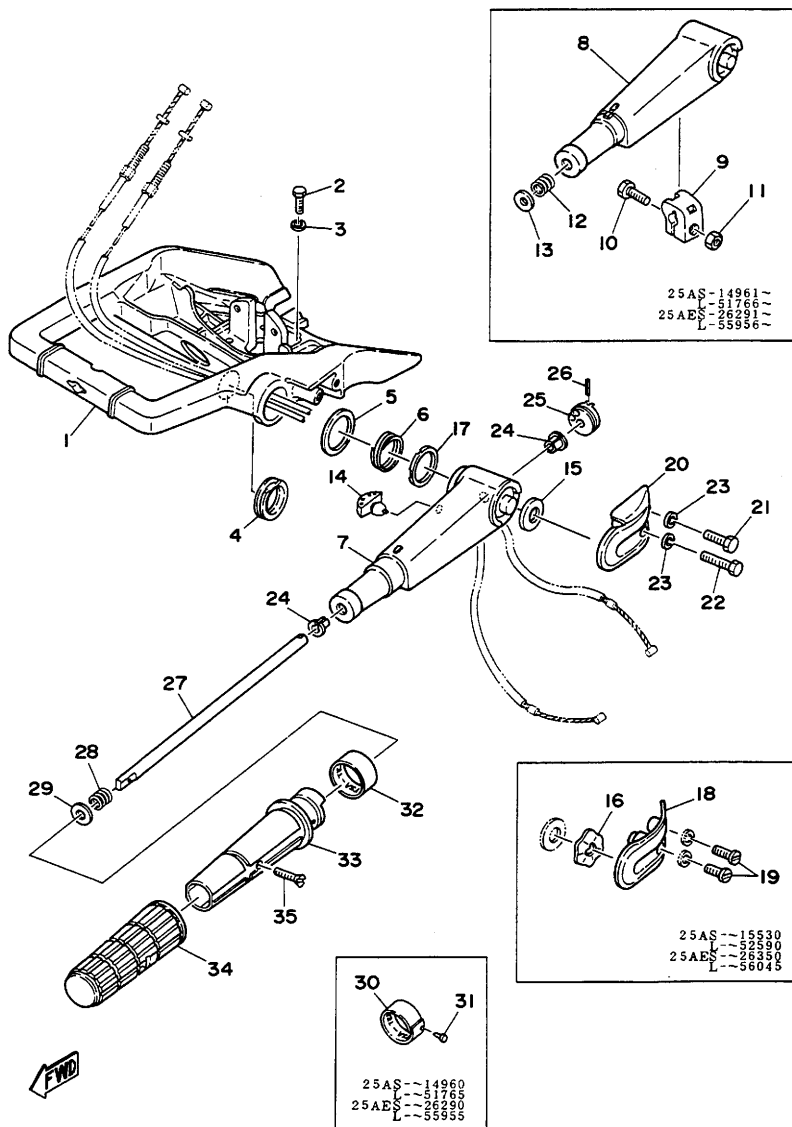
Fig. 11 HANDLE



HANDLE

Ref. No.	Parts No.	Description	Q'ty		Applicable Machine No.	Remarks
			25A	25AE		
11- 1	656-42511-01-F6	BRACKET, steering	1	1		Metallic Ocean Blue
11- 2	97370-06020	BOLT, hexagon	4	4		
11- 3	92990-06100	WASHER, spring	4	4		
11- 4	90480-29045	GROMMET (648-42551-00)	1	1		
11- 5	90202-34043	SPACER, handle 2	1	1		
11- 6	90501-20001	SPRING, compression	1	1		
11- 7	656-42111-00-F6	HANDLE, steering 1	1	1	25AS-~14960 L-~51765 25AES-~26290 L-~53955	Metallic Ocean Blue
11- 8	656-42111-02-F6	HANDLE, steering 1	1	1		Metallic Ocean Blue
11- 9	656-42126-01	PIECE, friction	1	1		
11-10	97380-06020	BOLT, hexagon	1	1	25AS-14961~ L-51766~ 25AES-26291~ L-53956~	
11-11	90185-06062	NUT, hexagon	1	1		
11-12	90501-23215	SPRING, compression	1	1		
11-13	92990-10600	WASHER, plate	1	1		
11-14	606-42591-00	HOLDER, shear pin	1	1		
11-15	90560-14076	SPACER, handle (648-42155-00)	1	1		
11-16	90206-14020	WASHER, wave (648-42188-00)	1	1	25AS-~10485 L-~44415 25AES-~26140 L-~53660	
11-17	656-42155-00	SPACER, handle 1	1	1	25AS-10486~ L-44016~ 25AES-26141~ L-53661~	
11-18	648-42112-00-F6	HANDLE, steering 2	1	1	25AS-~15530 L-~52590 25AES-~26350 L-~56045	Metallic Ocean Blue
11-19	92380-06020	SCREW, cylinderhead	2	2		
11-20	656-42112-00-F6	HANDLE, steering 2	1	1		Metallic Ocean Blue
11-21	97323-06020	BOLT, hexagon	1	1	25AS-15531~ L-52591~ 25AES-26351~ L-56046~	
11-22	97323-06035	BOLT, hexagon	1	1		
11-23	92990-06100	WASHER, spring	2	2		
11-24	90386-08032	BUSHING	2	2		
11-25	648-42138-00	LEVER, throttle	1	1		
11-26	91690-30025	PIN, spring	1	1		
11-27	656-42115-00	SHAFT, steering handle	1	1		
11-28	90501-23215	SPRING, compression	1	1	25AS-~14960 L-~51765 25AES-~26290 L-~53955	
	90501-16375	SPRING, compression	1	1	25AS-14961~ L-51766~ 25AES-26291~ L-53956~ 6167 33095 26370 56055	

Fig. 11 HANDLE



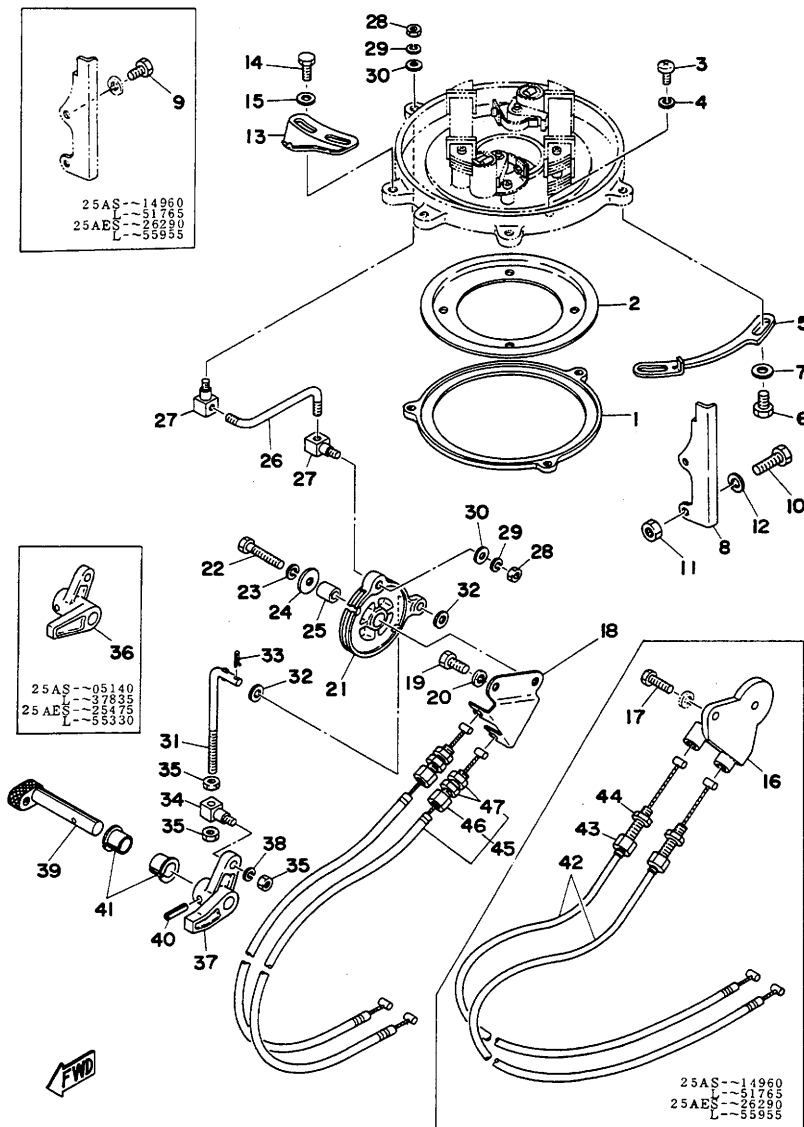
HANDLE

Ref. No.	Parts No.	Description	Q'ty		Applicable Machine No.	Remarks
			25A	25AE		
11-29	92990-10600	WASHER, plain	1	1	25AS ~ 14960 L ~ 51765 25AES ~ 26290 L ~ 55985	
	656-42126-00	FRICION, steering handle grip ..	1	1		
11-30	647-42137-01	INDICATOR, throttle	1	1	25AS-14961 ~ 16167 L-51766 ~ 53095 25AES-26291 ~ 26370 L-55986 ~ 56055	
11-31	90269-02001	RIVET	1	1		
11-32	647-42137-02	INDICATOR, throttle	1	1	25AS ~ 14960 L ~ 51765 25AES ~ 26290 L ~ 55955	◊
11-33	647-42119-02	GRIP, steering handle	1	1		
11-34	647-42177-00	RUBBER, handle	1	1	25AS-14961 ~ L-51766 ~ 25AES-26291 ~ L-55986 ~	
11-35	98180-05025	SCREW, ovalhead	1	1		

GEAR SHIFT

Ref. No.	Parts No.	Description	Q'ty		Applicable Machine No.	Remarks
			25A	25AE		
12- 1	648-44111-00-F6	HANDLE, gear shift	1	1	25AS ~ 11120 L ~ 45780 25AES ~ 26100 L ~ 53735	Metallic Ocean Blue
12- 2	91690-40022	PIN, spring	1	1		
12- 3	656-44111-80-F6	HANDLE, gear shift	1	1	25AS-11121~ L-45781~ 25AES-26101~ L-53736~	Metallic Ocean Blue
12- 4	97370-06025	BOLT, hexagon	1	1		
12- 5	92990-06100	WASHER, spring	1	1		
12- 6	90202-12031	WASHER, plate (648-44126-00)....	2	2		
12- 7	656-44113-00	CAM, plate handle	1	1	25AS ~ 10485 L ~ 44415 25AES ~ 26140 L ~ 55660 25AS-10485~ L-44416~ 25AES-26141~ L-55661~	
	656-44113-01	CAM, plate handle	1	1		
12- 8	91490-16010	PIN, cotter	2	2		
12- 9	648-42715-00	BUSHING 2	1	1		
12-10	90501-12082	SPRING (648-44116-00)	1	1		
12-11	93501-04011	BALL (1/4 inch)	1	1		
12-12	90202-06007	WASHER (626-44188-00)	6	6		
12-13	648-44142-00	JOINT	1	1		
12-14	648-44121-00	LEVER, shift rod 1	1	1		
12-15	90202-10024	WASHER, plate (648-44188-00) ...	2	2		
12-16	648-44125-00	LEVER, shift rod 2	1	1		
12-17	91490-25012	PIN, cotter	1	1		
12-18	91690-40016	PIN, spring	1	1		
12-19	92990-05600	WASHER, plate	1	1		
12-20	648-44143-00	ROD, shift 1	1	1		
12-21	648-44146-00	CONNECTOR, shift rod 2	1	1		
12-22	90170-07021	NUT, hexagon (648-44128-00)	1	1		

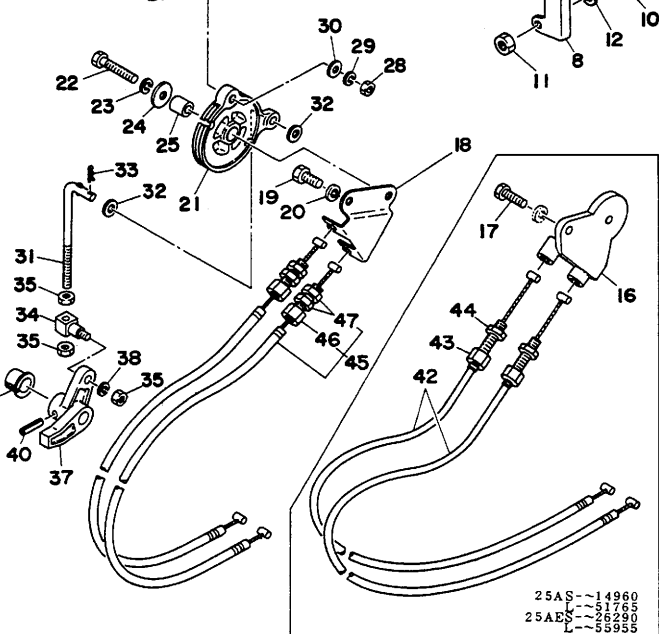
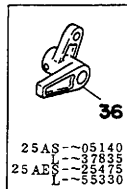
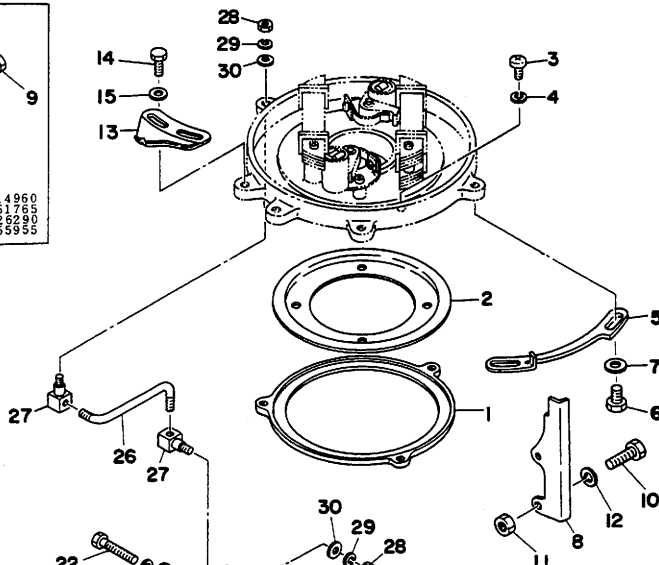
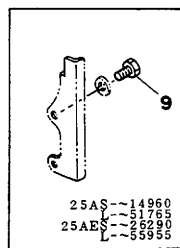
Fig. 13 THROTTLE CONTROL



THROTTLE CONTROL

Ref. No.	Parts No.	Description	Q'ty		Applicable Machine No.	Remarks
			25A	25AE		
13- 1	648-41611-00-94	RETAINER, magneto base 1	...	1	1	
13- 2	648-41612-01	RETAINER, magneto base 2	...	1	1	
13- 3	97803-05010	SCREW, panhead	3	3	
13- 4	92903-05100	WASHER, spring	3	3	
13- 5	648-41615-00	STOPPER, magneto base 1	1	1	25AS-~13870 L-~49373 25AES-~26235 L-~55875
	648-41615-01	STOPPER, magneto base 1	1	1	
13- 6	97323-06010	BOLT, hexagon	2	2	
13- 7	92990-06600	WASHER, plate	2	2	
13- 8	648-41616-00	STOPPER, magneto base 2	1	1	
13- 9	97323-06010	BOLT, hexagon	2	2	25AS-~14960 L-~51765 25AES-~26290 L-~55955
13-10	97323-06020	BOLT, hexagon	2	2	
13-11	95303-06600	NUT, hexagon	2	2	
13-12	92903-06100	WASHER, spring	2	2	
13-13	648-41213-00-94	CAM, accel	1	1	
13-14	97323-05012	BOLT, hexagon	2	2	
13-15	92903-05600	WASHER, plate	2	2	
13-16	648-41661-00-94	BRACKET 1	1	1	25AS-~14960 L-~51765 25AES-~26290 L-~55955
13-17	97323-06018	BOLT, hexagon	1	1	
13-18	656-14497-00	STAY, throttle wire	1	1	
13-19	97323-06015	BOLT, hexagon	1	1	
13-20	92903-06100	WASHER, spring	1	1	
13-21	648-41631-00-94	LEVER, magneto control 1	1	1	
13-22	97323-06030	BOLT, hexagon	1	1	
13-23	92903-06100	WASHER, spring	1	1	
13-24	648-41656-00	BUSHING	1	1	
13-25	90380-06001	BUSHING, solid (648-41655-00)	..	1	1	
13-26	648-41636-00	ROD, magneto control 1	1	1	25AS-~13870 L-~49373 25AES-~26235 L-~55875 25AS-13871~ L-49374~ 25AES-26236~ L-55876~
	648-41636-01	ROD, magneto control 1	1	1	
13-27	648-41635-00	SHAFT, link connecting	2	2	

Fig. 13 THROTTLE CONTROL



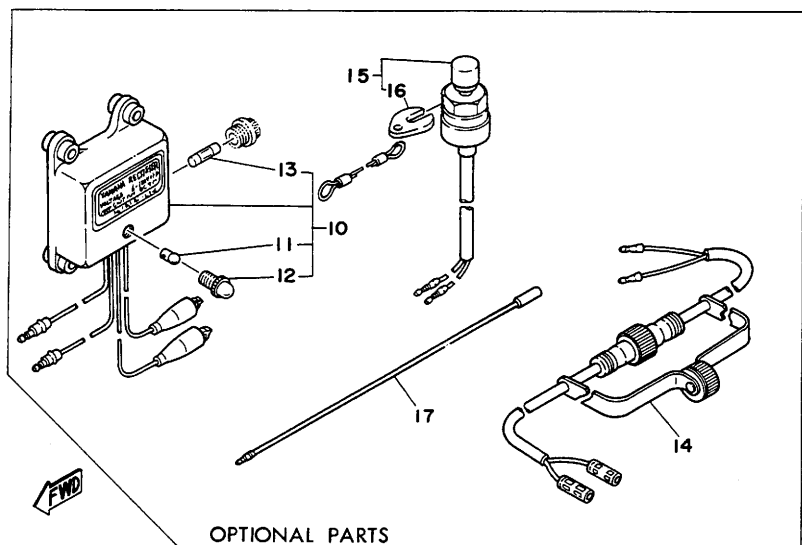
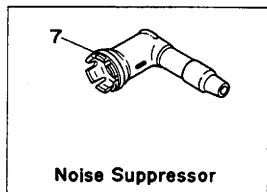
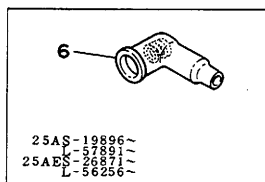
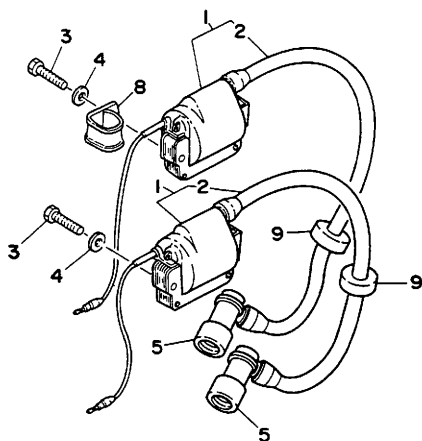
25AS	---	14960
25AES	---	51795
	L	51795



THROTTLE CONTROL

Ref. No.	Parts No.	Description	Q'ty		Applicable Machine No.	Remarks
			25A	25AE		
13-28	95303-05600	NUT, hexagon	2	2		
13-29	92903-05100	WASHER, spring	2	2		
13-30	92903-05600	WASHER, plate	2	2		
13-31	648-42169-01	JOINT	1	1		
13-32	92903-05600	WASHER, plate	2	2		
13-33	90468-10005	CLIP (626-41235-00)	1	1		
13-34	90249-05014	PIN (648-42195-00)	1	1		
13-35	95303-05600	NUT, hexagon	3	3		
13-36	648-42154-01-94	LEVER, throttle control	1	1	{ 25AS-~05140 L-~37835 25AES-~25475 L-~55330 25AS-05141~ L-37836~ 25AES-25476~ L-55331~	
13-37	656-42154-00-94	LEVER, throttle control	1	1	{ 25AS-~05140 L-~37835 25AES-~25475 L-~55330 25AS-05141~ L-37836~ 25AES-25476~ L-55331~	
13-38	92903-05100	WASHER, spring	1	1		
13-39	648-42153-01-F6	SHAFT, throttle control	1	1	{ 25AS-~05140 L-~37785 25AES-~25475 L-~55330 25AS-05141~ L-37786~ 25AES-25476~ L-55331~	Metallic Ocean Blue
	656-42153-00-F6	SHAFT, throttle control	1	1	{ 25AS-~05140 L-~37785 25AES-~25475 L-~55330 25AS-05141~ L-37786~ 25AES-25476~ L-55331~	Metallic Ocean Blue
13-40	91690-40022	PIN, spring	1	1	{ 25AS-~14960 L-~51765 25AES-~26290 L-~55955	
	91690-40018	PIN, spring	1	1	{ 25AS-14961~ L-37891~ 25AES-26291~ L-55956~	
13-41	90386-10009	BUSHING 2 (648-44186-00)	2	2		
13-42	648-26311-01	WIRE, throttle	2	2		
13-43	648-26317-00	ADJUSTER, cable	2	2	{ 25AS-~14960 L-~51765 25AES-~26290 L-~55955	
13-44	90179-06040	NUT (648-26319-00)	2	2		
13-45	664-26311-00	THROTTLE WIRE COMP.	2	2	{ 25AS-14961~ L-51766~ 25AES-26291~ L-55956~ 25AS-19896~ L-56706~ 25AES-26291~ L-56256~	◇
	* 664-26311-01	THROTTLE WIRE COMP.	2	2	{ 25AS-14961~ L-51766~ 25AES-26291~ L-55956~ 25AS-19896~ L-56706~ 25AES-26291~ L-56256~	
13-46	90123-06065	BOLT, wire adjusting	2	2	{ 25AS-14961~ L-51766~ 25AES-26291~ L-55956~	
13-47	90170-06183	NUT, hexagon	4	4	{ 25AS-14961~ L-51766~ 25AES-26291~ L-55956~	

- Fig. 14 ELECTRICAL



OPTIONAL PARTS

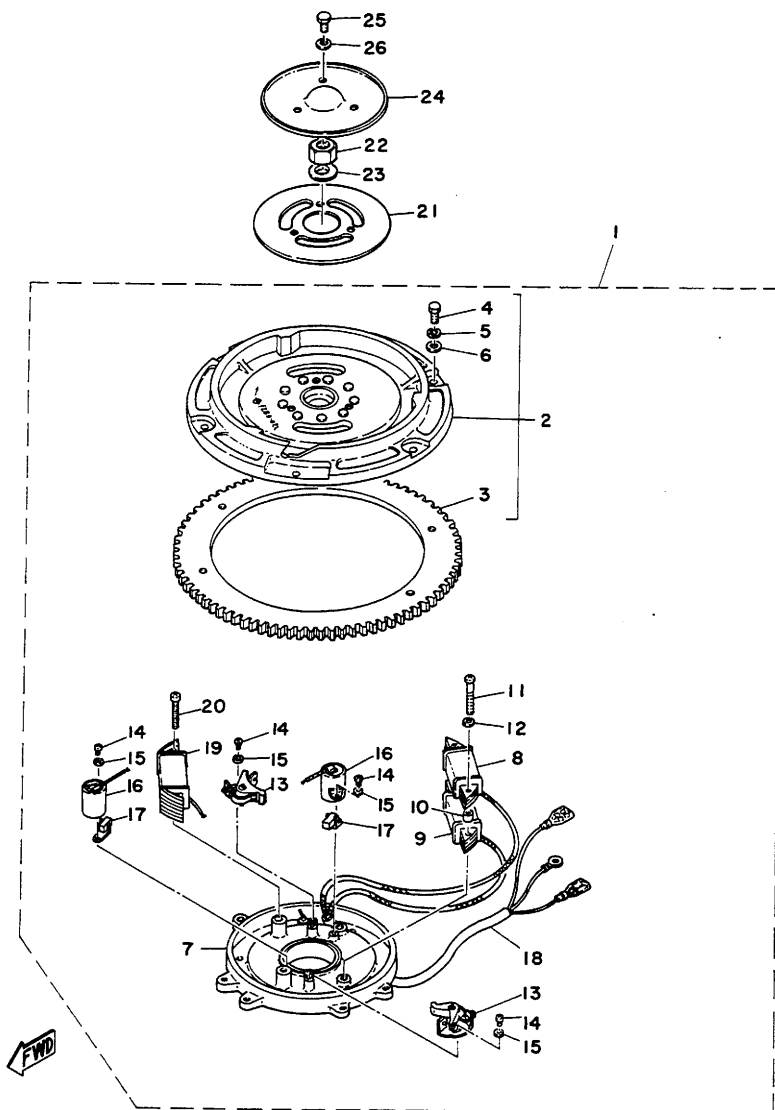
ELECTRICAL

Ref. No.	Parts No.	Description	Q'ty		Applicable Machine No.	Remarks
			25A	25AE		
14- 1	650-82310-12	IGNITION COIL ASS'Y	2	2	{ 25AS ~ 19025 L ~ 56705 25AES ~ 26825 L ~ 56255 { 25AS-19896 ~ L-57891 ~ 25AES-26871 ~ L-56256 ~	
	* 655-82310-11	IGNITION COIL ASS'Y	2	2		
14- 2	650-82340-10	. CORD, hightension	2	2		
14- 3	97323-06025	BOLT, hexagon	4	4		
14- 4	92903-06600	WASHER, plate	4	4		
14- 5	624-82370-00	PLUG CAP ASS'Y	2	2	{ 25AS ~ 19025 L ~ 56705 25AES ~ 26825 L ~ 56255 { 25AS-19896 ~ L-57891 ~ 25AES-26871 ~ L-56256 ~	
14- 6	* 663-82370-01	PLUG CAP ASS'Y	2	2		
14- 7	650-82370-00	PLUG CAP ASS'Y	2	2		Noise Suppressor
14- 8	90465-06038	CLAMP (650-82362-00)	1	1		
14- 9	90480-25161	GROMMET	2	2		

OPTIONAL PARTS

14-10	648-81970-41	RECTIFIER ASS'Y	1			
14-11	648-81977-40	. BULB, rectifier (12V-3W)	1			
14-12	648-81978-40	. LENS, rectifier	1			
14-13	648-82151-41	. FUSE, rectifier (12V-7A).....	1			
14-14	616-83180-30	CONCENT 2P ASS'Y	1			
14-15	664-82575-41	KILL SWITCH ASS'Y	1			
14-16	663-82556-70	. STOPPER	1			
14-17	664-82521-00	WIRE, lead 1	2			

Fig. 15 FLYWHEEL MAGNETO (40W)



FLYWHEEL MAGNETO (40W)

Ref. No.	Parts No.	Description	Q'ty		Applicable Machine No.	Remarks
			25A	25AE		
15- 1	648-81300-63	FLY WHEEL MAGNETO ASS'Y	1	1		
15- 2	648-81350-11	. ROTOR ASS'Y	1	1		
15- 3	648-81891-00	. . GEAR, ring	1	1		
15- 4	97303-06018	. . BOLT, hexagon	6	6		
15- 5	92903-06100	. . WASHER, spring	6	6		
15- 6	92903-06600	. . WASHER, plate	6	6		
15- 7	648-81309-12	. BASE, magneto	1	1		
15- 8	647-81311-10	. COLL, ignition 1	1	1		
15- 9	647-81312-10	. COLL, ignition 2	1	1		
15-10	647-81318-10	. TUBE	2	2		
15-11	647-81323-10	. SCREW 1 (5-35)	2	2		25AS ~ 14960 L ~ 51765 25AES ~ 26290 L ~ 55955
15-12	92901-05100	. WASHER, spring	2	2		
15-13	650-81321-10	. CONTACT BREAKER ASS'Y	2	2		
15-14	164-81246-21	. SCREW, panhead (4-8)	4	4		
15-15	92901-04100	. WASHER, spring	4	4		
15-16	647-81325-11	. CONDENSER	2	2		
15-17	207-81331-10	. LUBRICATOR	2	2		
15-18	648-81315-10	. LEAD WIRE ASS'Y	1	1		
15-19	647-81313-41	. COIL, lighting (40W)	1	1		
15-20	98502-05030	. SCREW, panhead	2	2		
15-21	648-81365-00	PACKING	1	1		
15-22	90170-12066	NUT, hexagon (648-11555-00)	1	1		
15-23	90201-12472	WASHER, plate (648-11557-00)....	1	1		
15-24	648-81362-00	COVER, hole	1	1		
15-25	97323-06012	BOLT, hexagon	3	3		
15-26	92990-06600	WASHER, plate	3	3		

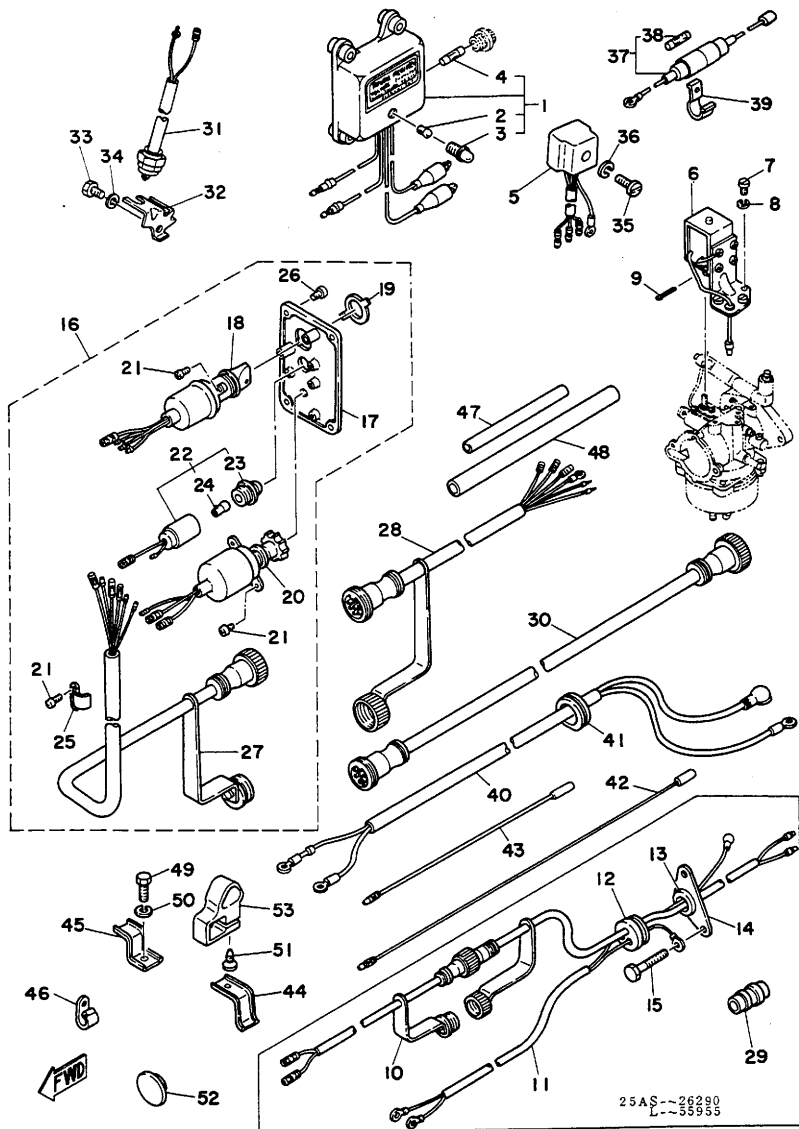
FLYWHEEL MAGNETO (80W)

Ref. No.	Parts No.	Description	Q'ty		Applicable Machine No.	Remarks
			25A	25AE		
16- 1	664-81300-F0	FLYWHEEL MAGNET ASS'Y	1			} With Ring Gear
	664-81300-A0	FLYWHEEL MAGNET ASS'Y		1		
16- 2	664-81350-F0	. ROTOR ASS'Y	1			} 25AS-14961 ~ L-51766 ~ 25AES-16291 ~ L-55956 ~
16- 3	664-81350-A0	. ROTOR ASS'Y		1		
16- 4	648-81891-00	. . GEAR, ring		1		
16- 5	97303-06018	. . BOLT, hexagon		6		
16- 6	92903-06100	. . WASHER, spring		6		
16- 7	92903-06200	. . WASHER, plain		6		
16- 8	648-81309-12	. BASE, magneto	1	1		
16- 9	655-81311-A0	. COIL, ignition	1	1		
16-10	655-81312-A0	. COIL, ignition	1	1		
16-11	647-81318-10	. TUBE	2	2		
16-12	647-81323-10	. SCREW 1 (5-35)	2	2		
16-13	92901-05100	. WASHER, spring	2	2		
16-14	650-81321-10	. CONTACT BREAKER ASS'Y	2	2		
16-15	647-81325-11	. CONDENSER	2	2		
16-16	207-81331-10	. LUBRICATOR	2	2		
16-17	164-81246-21	. SCREW, panhead (4-8)	4	4		
16-18	92901-04100	. WASHER, spring	4	4		
16-19	648-81315-10	. LEAD WIRE ASS'Y	1	1		
16-20	655-81313-A0	. COIL, lighting (80W)	1	1		
16-21	647-81324-10	. SCREW 2 (5-30)	2	2		

ELECTRIC MOTOR

Ref. No.	Parts No.	Description	Q'ty 25AE	Applicable Machine No.	Remarks
17- 1	648-81800-41	ELECTRIC MOTOR ASS'Y	1		
17- 2	648-81860-40	. MAGNETIC SWITCH 1	1		
17- 3	648-81830-41	. GEAR CASE ASS'Y	1		
17- 4	648-81828-40	. BOLT 2	1		
17- 5	92903-06100	. WASHER, spring	1		
17- 6	95301-06600	. NUT, hexagon	1		
17- 7	648-81846-40	. BOLT 3	3		
17- 8	648-81829-40	. GROMMET	1		
17- 9	648-81809-40	. WASHER KIT	1		
17-10	648-81839-40	. LEVER, shift	1		
17-11	648-81832-40	. GEAR ASS'Y	1		
17-12	648-81850-40	. ARMATURE ASS'Y 1	1		
17-13	648-81810-40	. STATOR ASS'Y	1		
17-14	648-81862-40	. CAP	1		
17-15	648-81811-40	. BRUSH 1 (+)	1		
17-16	648-81812-40	. BRUSH 2 (-)	1		
17-17	648-81813-40	. SPRING, brush	2		
17-18	648-81814-40	. SPRING, friction piece	1		
17-19	648-81827-40	. PIECE, friction	1		
17-20	648-81820-40	. REAR COVER ASS'Y	1		
17-21	648-81826-40	. BOLT	2		
17-22	92903-05100	. WASHER, spring	5		
17-23	98503-04012	. SCREW, panhead	2		
17-24	92901-04100	. WASHER, spring	2		
17-25	97323-06035	BOLT, hexagon	1		
17-26	97323-06040	BOLT, hexagon	1		
17-27	648-81893-40	SHIM, gear adjusting	1		

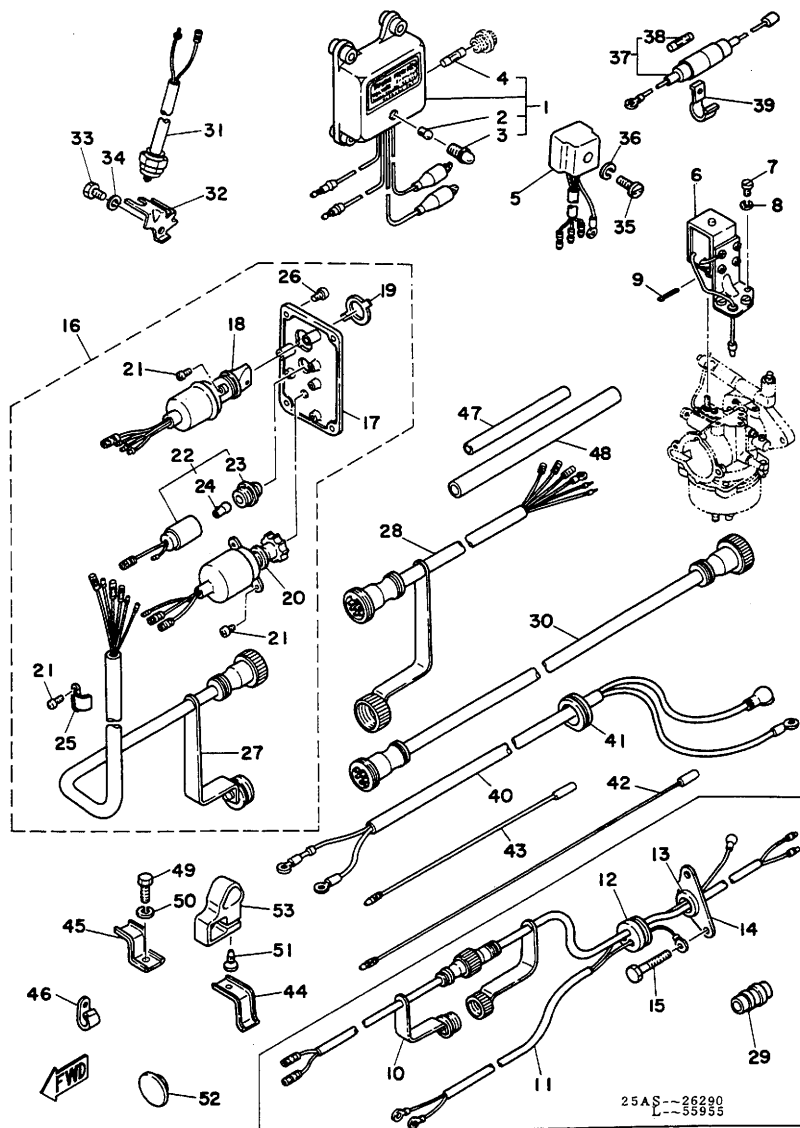
Fig. 18 ELECTRIC STARTER UNIT



ELECTRIC STARTER UNIT

Ref. No.	Parts No.	Description	Q'ty 25AE	Applicable Machine No.	Remarks
18- 1	648-81970-41	RECTIFIER ASS'Y	1		} 25AES:~26290 L:~55955
18- 2	648-81977-40	. BULB, rectifier (12V-3W)	1		
18- 3	648-81978-40	. LENS, rectifier	1		
18- 4	648-82151-41	. FUSE, rectifier (12V-7A)	1		
18- 5	664-81970-60	RECTIFIER ASS'Y	1	{ 25AES:~26291 ~ L:55956 ~	
18- 6	648-86110-40	SOLENOID ASS'Y	1	{ 25AES:~26290 L:~55955	◇
	656-86110-40	SOLENOID ASS'Y	1	{ 25AES:26291 ~ L:55956 ~	
18- 7	98303-04008	. SCREW, cylinderhead	3		
18- 8	92990-04100	. WASHER, spring	3		
18- 9	91490-20015	. PIN, cotter	1		
18-10	648-84380-40	CONCENT 2P ASS'Y	1		} 25AES:~26290 L:~55955
18-11	656-82105-40	LEAD WIRE ASS'Y	1		
18-12	90480-22042	. GROMMET (648-42724-40)	1		
18-13	90480-19031	GROMMET (648-48176-40)	1		
18-14	90465-20061	CLAMP (648-82544-40)	1		
18-15	97303-06040	BOLT, hexagon	1		
18-16	648-82570-40	SWITCH PANEL ASS'Y	1		
18-17	648-82571-40	. PANEL, switch	1		
18-18	648-82508-40	. MAIN SWITCH ASS'Y	1		
18-19	648-82584-40	. CAP, switch	1		
18-20	648-82502-40	. SUB-SWITCH ASS'Y	1		
18-21	648-82573-40	. SCREW, special 2	6		
18-22	648-84301-40	. PILOT LAMP ASS'Y	1		
18-23	648-83583-40	. . LENS, pilot	1		
18-24	123-83516-21	. . BULB, pilot (12V-3W)	1		
18-25	648-82594-40	. CLAMP, wire harness	1		
18-26	648-82572-40	. SCREW, special 1	4		
18-27	648-82580-40	. WIRE HARNESS ASS'Y 2	1		

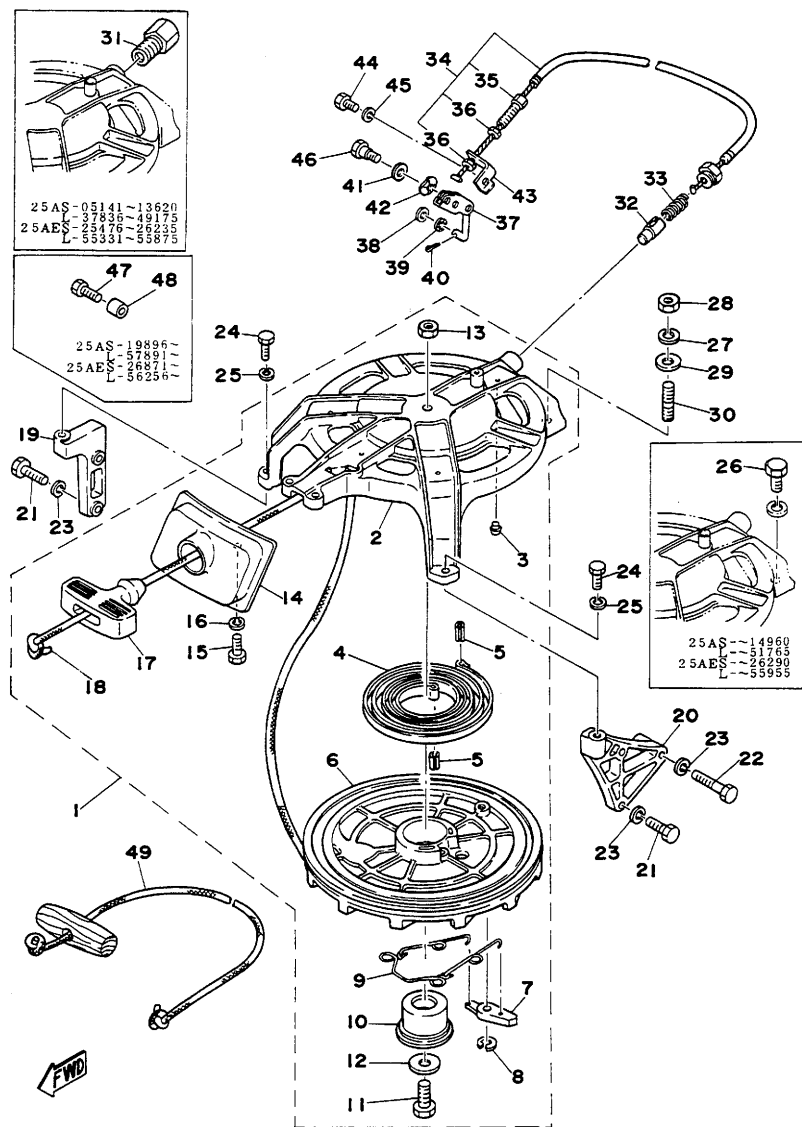
Fig. 18 ELECTRIC STARTER UNIT



ELECTRIC STARTER UNIT

Ref. No.	Parts No.	Description	Q'ty 25AE	Applicable Machine No.	Remarks
18-28	656-82590-40	WIRE HARNESS ASS'Y 1	1	{ 25AES-~26290 L-55956	
	664-82590-00	WIRE HARNESS ASS'Y 1	1	{ 25AES-26291~ L-55956	
18-29	90480-16024	GROMMET (648-42725-40)	1	{ 25AES-~26290 L-55956	
18-30	656-82586-40	EXTENSION, wire harness	1		
18-31	656-82540-41	NEUTRAL SWITCH ASS'Y	1		
18-32	656-15774-41	STAY 4	1		
18-33	97303-06012	BOLT, hexagon	1		
18-34	92903-06100	WASHER, spring	1		
18-35	97803-05025	SCREW, panhead	1		
18-36	92903-05100	WASHER, spring	1		
18-37	664-82150-01	FUSE HOLDER ASS'Y	1		
18-38	663-82151-00	FUSE	1		
18-39	90462-10021	CLAMP	1		
18-40	664-82105-00	LEAD WIRE ASS'Y	1		
18-41	664-42724-40	GROMMET 1	1		
18-42	664-82521-00	WIRE, lead 1	2		
18-43	664-82531-00	WIRE, lead 2	1		
18-44	90465-10071	CLAMP	1	25AES-26291~ L-55956	
18-45	90462-10018	CLAMP	2		
18-46	90461-06015	CLAMP	1		
18-47	90446-10105	HOSE	1		
18-48	90446-15104	HOSE (13-15-200)	1		
18-49	97323-06015	BOLT, hexagon	3		
18-50	92903-06100	WASHER, spring	3		
18-51	90161-06001	SCREW, flathead tapping	1		
18-52	90480-17165	GROMMET	1		
18-53	90464-18018	CLAMP	1		

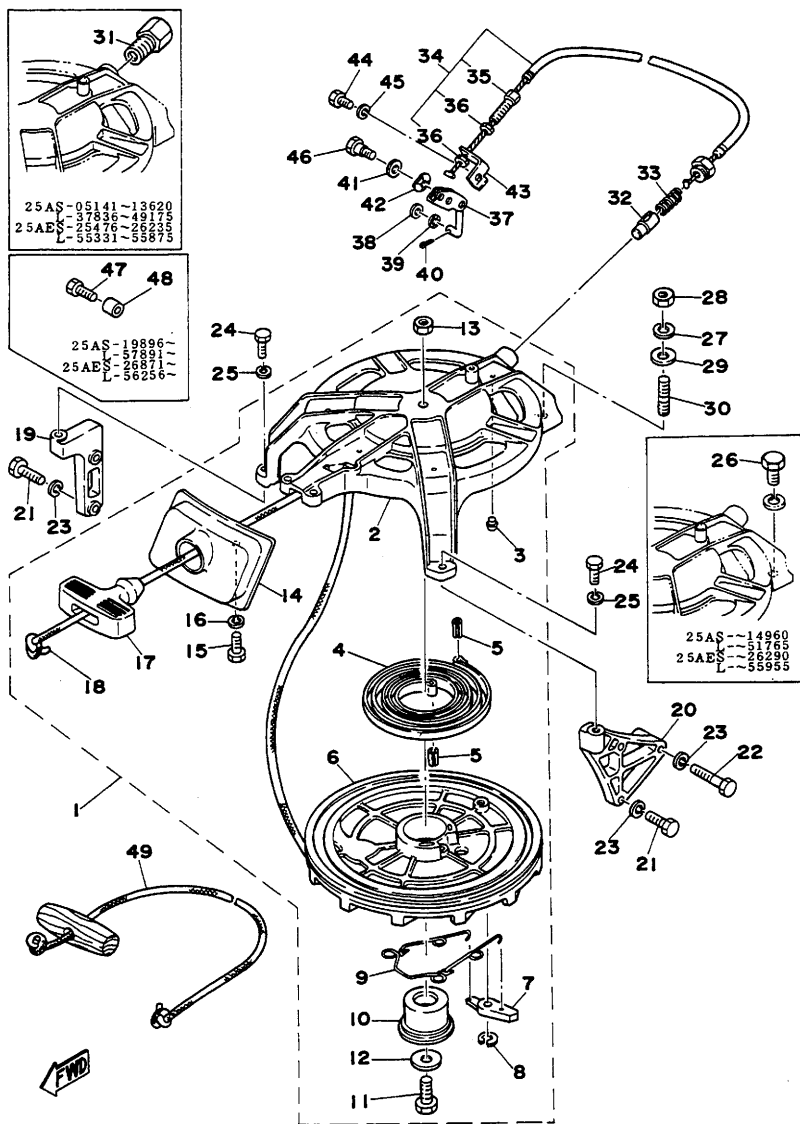
Fig. 19 MANUAL STARTER



MANUAL STARTER

Ref. No.	Parts No.	Description	Q'ty		Applicable Machine No.	Remarks
			25A	25AE		
19- 1	656-15710-01-F6	STARTER ASS'Y	1	1		Metallic Ocean Blue
19- 2	656-15711-01-F6	CASE, starter	1	1		Metallic Ocean Blue
19- 3	648-15773-00	STAY 3	6	6		
19- 4	90510-08002	SPRING, spiral (656-15713-00)	1	1		
19- 5	91690-40020	PIN, spring	2	2		
19- 6	656-15714-00-94	DRUM, sheave	1	1		
19- 7	648-15741-01	PAWL, drive	1	1		
19- 8	93430-06005	CIRCLIP (E-6)	1	1		
19- 9	648-15705-00	SPRING DRIVE PAWL ASS'Y	1	1	{ 25AS ~ 05140 L ~ 37786 25AES ~ 25475 L ~ 55330 { 25AS-05141 ~ L-37786 ~ 25AES-25476 ~ L-55331 ~	
	656-15705-00	SPRING DRIVE PAWL ASS'Y	1	1		
19-10	648-15717-00	SHAFT	1	1		
19-11	97323-08025	BOLT, hexagon	1	1		
19-12	90201-08309	WASHER, plate (647-42548-00)	1	1		
19-13	95303-08600	NUT, hexagon	1	1		
19-14	648-15758-00-F6	GUIDE, wire	1	1		Metallic Ocean Blue
19-15	97323-06015	BOLT, hexagon	2	2		
19-16	92903-06100	WASHER, spring	2	2		
19-17	619-15755-01	HANDLE, starter	1	1		
19-18	90580-05003	WIRE (648-15751-00)	1	1		
19-19	648-15771-00-94	STAY 1	1	1		
19-20	648-15772-00-94	STAY 2	1	1		
19-21	97323-06025	BOLT, hexagon	4	4		
19-22	97323-06040	BOLT, hexagon	1	1		
19-23	92903-06100	WASHER, spring	5	5		
19-24	97323-06020	BOLT, hexagon	2	2		
19-25	92903-06100	WASHER, spring	2	2		
19-26	97323-08020	BOLT, hexagon	1	1	{ 25AS ~ 14960 L ~ 51765 25AES ~ 26290 L ~ 55955	
19-27	92903-08100	WASHER, spring	1	1		

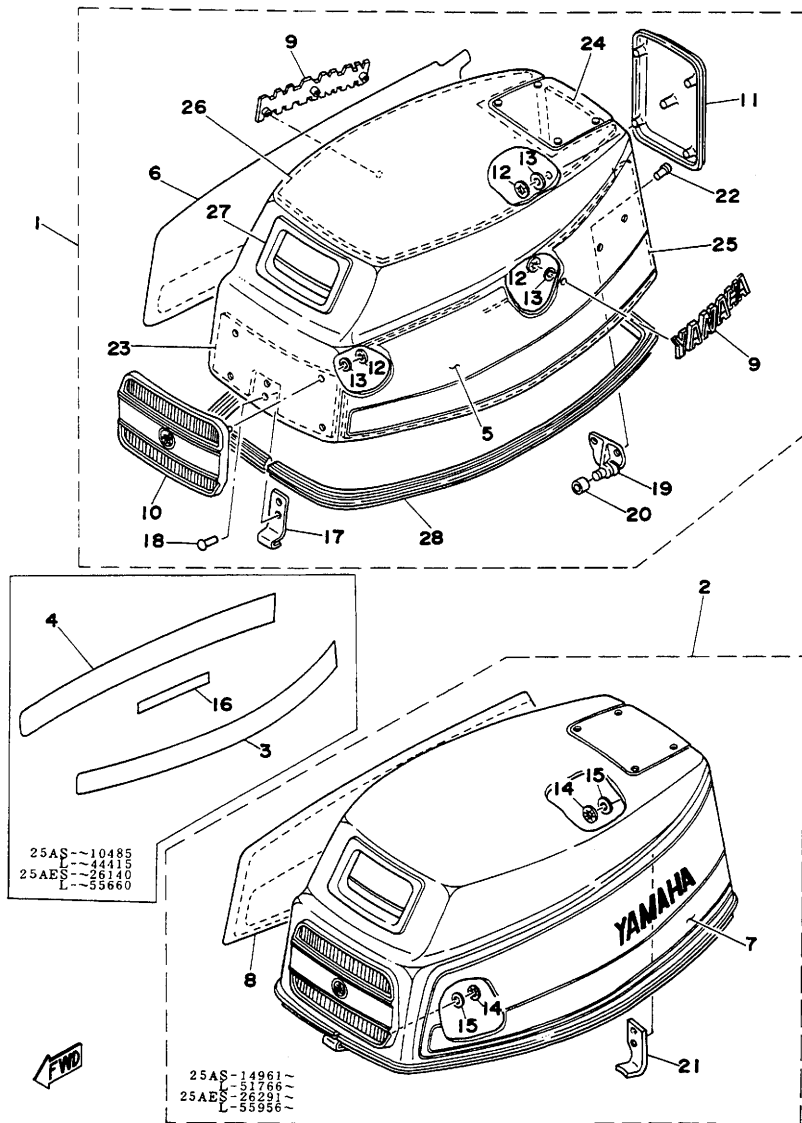
Fig. 19 MANUAL STARTER



MANUAL STARTER

Ref. No.	Parts No.	Description	Q'ty		Applicable Machine No.	Remarks
			25A	25AE		
19-28	95303-08600	NUT, hexagon	1	1	25AS-14961 ~ L-51766 ~ 25AES-26291 ~ L-55956 ~	
19-29	92903-08200	WASHER, plate	1	1		
19-30	90116-08224	BOLT, stud	1	1		
19-31	656-15777--00	HOLDER, plunger	1	1	25AS-05141 ~ 13620 L-37836 ~ 49175 25AES-25476 ~ 26235 L-55331 ~ 55875	
19-32	656-15748-00	PLUNGER, starter stop	1	1		
19-33	90501-10227	SPRING, compression	1	1	25AS-05141 ~ L-37836 ~ 25AES-25476 ~ L-55331 ~	
19-34	656-15770-00	WIRE COMP., starter stop	1	1		
19-35	90123-06049	. BOLT, wire adjusting	1	1		
19-36	95303-06600	. NUT, hexagon	2	2		
19-37	656-15749-00	LINK COMP., starter stop	1	1		
19-38	92903-05600	WASHER, plate	1	1		
19-39	90206-05005	WASHER, wave	1	1		
19-40	91490-16010	PIN, cotter	1	1		
19-41	92903-06600	WASHER, plate	1	1		
19-42	90206-08010	WASHER, wave	1	1		
19-43	656-15774-00	STAY 4	1	1		
19-44	97323-06012	BOLT, hexagon	1	1		
19-45	92903-06100	WASHER, spring	1	1		
19-46	90109-06258	BOLT, hexagon	1	1		25AS-05141 ~ 19025 L-37786 ~ 56705 25AES-25476 ~ 26825 L-55331 ~ 56255
19-47	* 97323-06020	BOLT, hexagon	1	1		
19-48	* 90387-06568	COLLAR	1	1		25AS-19896 ~ L-57891 ~ 25AES-26871 ~ L-56256 ~
19-49	647-15780-01	EMERGENCY STARTER ASS'Y	1	1		

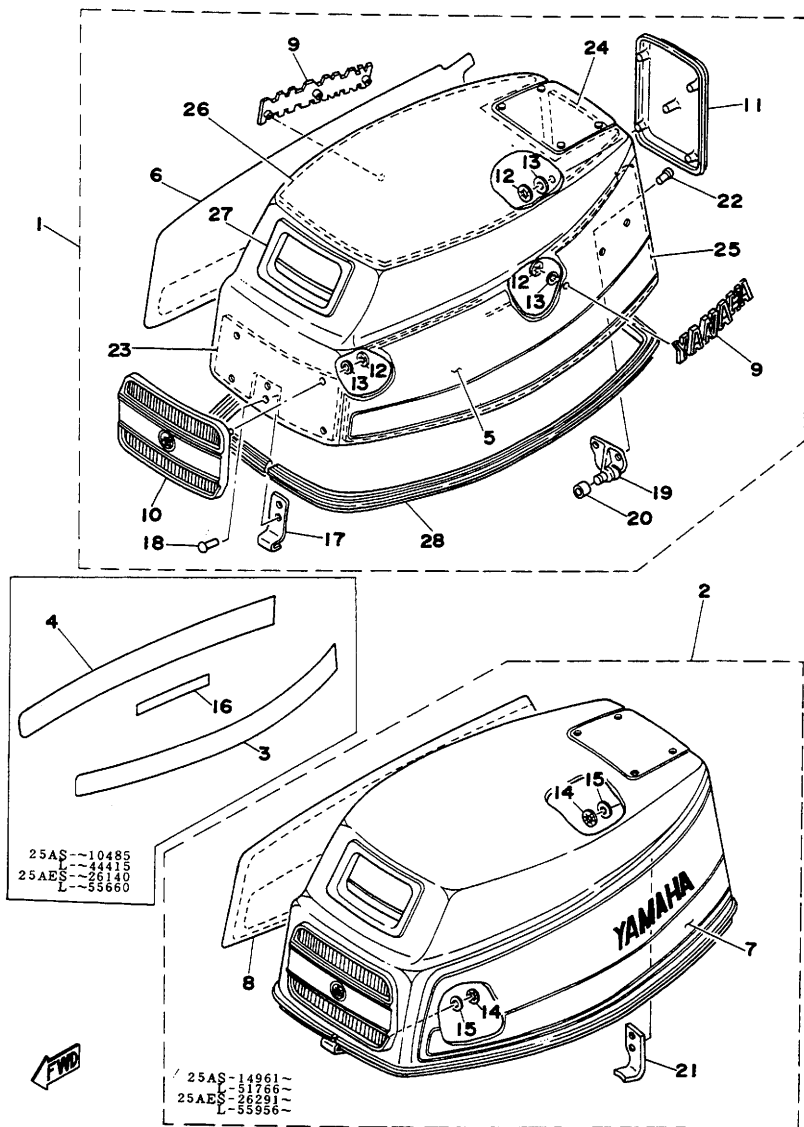
Fig. 20 TOP COWLING



TOP COWLING

Ref. No.	Parts No.	Description	Q'ty		Applicable Machine No.	Remarks
			25A	25AE		
20- 1	656-42610-61-F6	TOP COWLING ASS'Y	1	1	25AS-~14960 L-~51765 25AES-~26290 L-~55955	Metallic Ocean Blue
20- 2	656-42610-62-F6	TOP COWLING ASS'Y	1	1	25AS-14961~17625 L-51766~54420 25AES-26291~26695 L-55956~56195	Metallic Ocean Blue
*	656-42610-80-F6	TOP COWLING ASS'Y	1	1	25AS-19896~ L-57891~ 25AES-26871~ L-56256~	Metallic Ocean Blue
20- 3	648-42675-01	. GRAPHIC, side 1	1	1	25AS-~01195 L-~30525	
	648-42675-02	. GRAPHIC, side 1	1	1	25AS-01196~10485 L-30526~44415 25AES-~26140 L-~55660	
20- 4	648-42676-01	. GRAPHIC, side 2	1	1	25AS-~01195 L-~30525	
	648-42676-02	. GRAPHIC, side 2	1	1	25AS-01196~10485 L-30526~44415 25AES-~26140 L-~55660	
20- 5	656-42675-00	. GRAPHIC, side 1	1	1	25AS-10486~14960 L-44416~51765 25AES-26141~26290 L-55661~55955	
20- 6	656-42676-00	. GRAPHIC, side 2	1	1	25AS-14961~17625 L-51766~54420 25AES-26291~26695 L-55956~56195	
20- 7	656-42675-01	. GRAPHIC, side 1	1	1	25AS-19896~ L-57891~ 25AES-26871~ L-56256~	
*	656-42675-02	. GRAPHIC, side 1	1	1	25AS-14961~17625 L-51766~54420 25AES-26291~26695 L-55956~56195	
20- 8	656-42676-01	. GRAPHIC, side 2	1	1	25AS-19896~ L-57891~ 25AES-26871~ L-56256~	
*	656-42676-02	. GRAPHIC, side 2	1	1	25AS-~14960 L-~51765 25AES-~26290 L-~55955	
20- 9	650-42681-00	. MARK, cowling 1	2	2	25AS-~14960 L-~51765 25AES-~26290 L-~55955	
20-10	648-42686-00	. EMBLEM, front	1	1		
20-11	648-42687-00	. EMBLEM, rear	1	1		
20-12	90183-05003	. NUT, spring (650-42691-00)	16	16	25AS-~14960 L-~51765 25AES-~26290 L-~55955	
20-13	650-42693-00	. DAMPER, emblem	16	16		
20-14	90183-05003	. NUT, spring (650-42691-00)	10	10	25AS-14961~ L-51766~ 25AES-26291~ L-55956~	
20-15	650-42693-00	. DAMPER, emblem	10	10		
20-16	648-44191-02	. INDICATOR, shift	1	1	25AS-~10485 L-~57891 25AES-~26140 L-~55660	
20-17	648-42651-00	. HOOK 1	1	1		
20-18	90266-04002	. RIVET (612-42642-00)	2	2		
20-19	648-42647-00	. HOLDER, clamp band	1	1	25AS-~14960 L-~51765 25AES-~26290 L-~55955	
20-20	626-42658-00	. BUSHING	1	1		
20-21	656-42647-00	. HOLDER, clamp band	1	1	25AS-14961~ L-51766~ 25AES-26291~ L-55956~	
20-22	90266-04012	. RIVET	2	2		
20-23	656-42662-00	. DAMPER 1	1	1		
20-24	656-42663-00	. DAMPER 2	1	1		

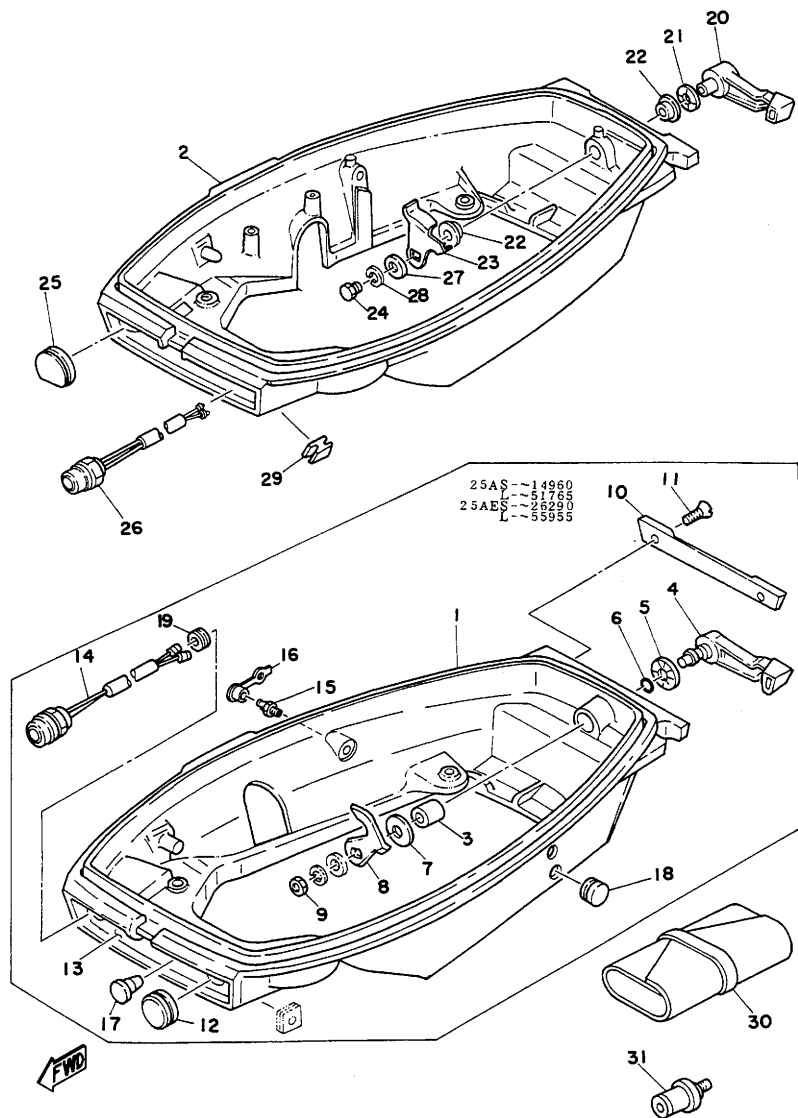
Fig. 20 TOP COWLING



TOP COWLING

Ref. No.	Parts No.	Description	Q'ty		Applicable Machine No.	Remarks
			25A	25AB		
20-25	656-42664-00	. DAMPER 3	2	2		
20-26	656-42665-00	. DAMPER 4	1	1		
20-27	648-15761-00	. SEAL, rubber	1	1		
20-28	648-42615-00	. SEAL	1	1		

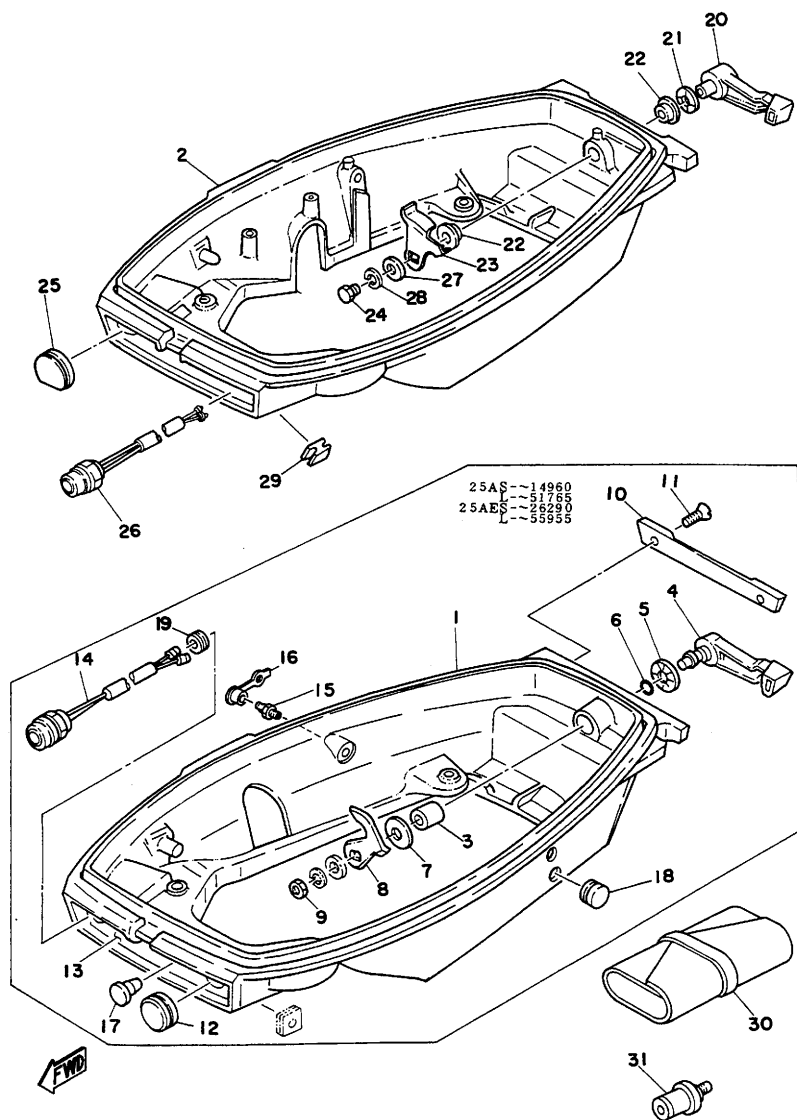
Fig. 21 BOTTOM COWLING



BOTTOM COWLING

Ref. No.	Parts No.	Description	Q'ty		Applicable Machine No.	Remarks	
			25A	25AE			
21- 1	648-42710-09-F6	BOTTOM COWLING COMP.	1		{ 25AS ~01195 L ~30525	Metallic Ocean Blue	
	656-42710-00-F6	BOTTOM COWLING COMP.	1	1			25AS-01196 ~14960 L-30526 ~51765 25AES ~26290 L ~55955
21- 2	664-42711-00-F6	COWLING, bottom	1	1	25AS-14961 ~ L-51766 ~ 25AES-26291 ~ L-55956 ~	Metallic Ocean Blue	
21- 3	90380-13013	BUSHING, solid (626-42831-00) ..	1	1	}		
21- 4	648-42815-00-F6	LEVER, clamp 1	1	1			Metallic Ocean Blue
21- 5	90206-13019	WASHER, wave (626-42832-00) ..	1	1			
21- 6	93210-10107	O-RING (1.9-9.8)	1	1			
21- 7	90202-13034	WASHER, plain (626-42833-00) ..	1	1			
21- 8	648-42816-00	LEVEL, clamp 2	1	1			
21- 9	95303-06700	NUT, hexagon	1	1			
21-10	648-42761-00	STOPPER 1	1	1			25AS ~14960 L ~51765 25AES ~26290 L ~55955
21-11	92280-06012	SCREW, flathead	2	2			
21-12	90480-22041	GROMMET (648-42724-00)	1				
21-13	648-42791-01	MARK 1	1	1			
21-14	648-82550-01	STOP SWITCH ASS'Y	1				
21-15	93700-06004	NIPPLE, grease	1	1			
21-16	626-45119-00	CAP, grease nipple	1	1			
21-17	90480-14022	GROMMET (648-42727-00)	1				
21-18	90480-19030	GROMMET (612-42724-00)	4	4			
21-19	90480-29045	GROMMET (648-42551-00)	1	1			25AS ~10485 L ~44415 25AES ~26140 L ~55860 25AS-10486 ~14960 L-44416 ~51760 25AES-26141 ~26290 L-55661 ~55955
	90480-10009	GROMMET (700-48176-10)	1	1			
21-20	664-42815-00-F6	LEVER, clamp 1	1	1			Metallic Ocean Blue
21-21	90206-12052	WASHER, wave	1	1			
21-22	90386-12069	BUSHING	2	2			
21-23	656-42816-00	LEVER, clamp 2	1	1			25AS-14961 ~ L-51766 ~ 25AES-26291 ~ L-55956 ~
21-24	97323-06010	BOLT, hexagon	1	1			
21-25	664-42724-00	GROMMET 1	1				
21-26	664-82550-00	STOP SWITCH ASS'Y	1				
21-27	90201-06068	WASHER, plate (620-24576-00) ..	1	1			

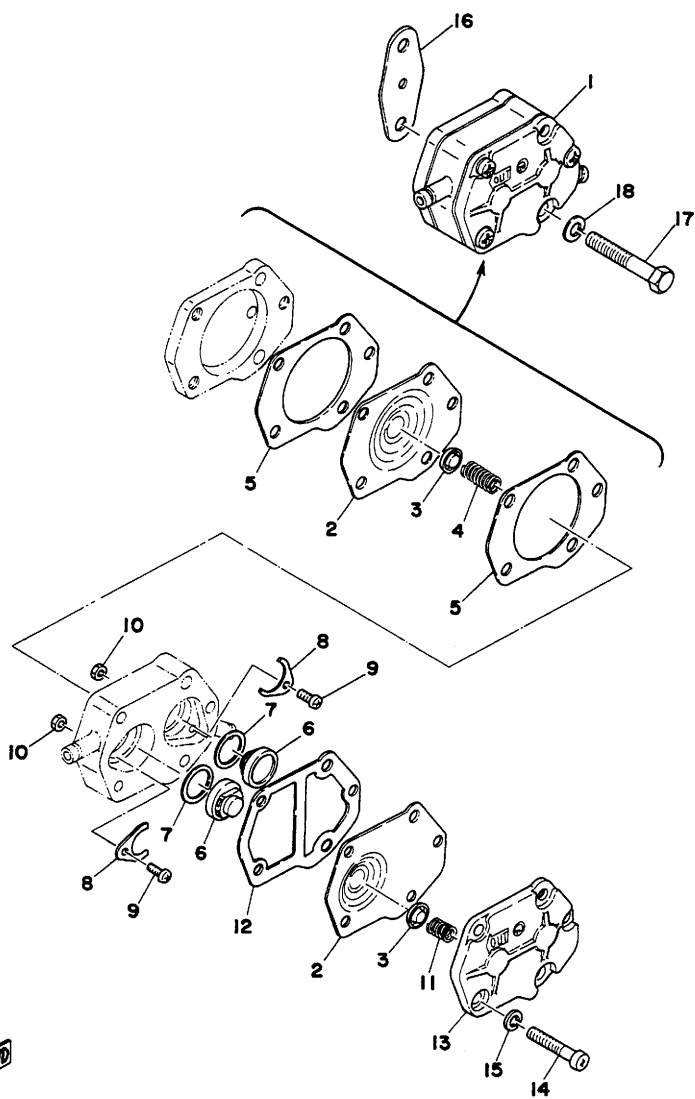
Fig. 21 BOTTOM COWLING



BOTTOM COWLING

Ref. No.	Parts No.	Description	Q'ty		Applicable Machine No.	Remarks
			25A	25AE		
21-28	92990-06100	WASHER, spring	1	1		
21-29	90480-12156	GROMMET 3	1	1		
21-30	656-28100-60	TOOL ASS'Y	1	1		
21-31	626-28193-01-94	PLUG, water check 1	1	1		

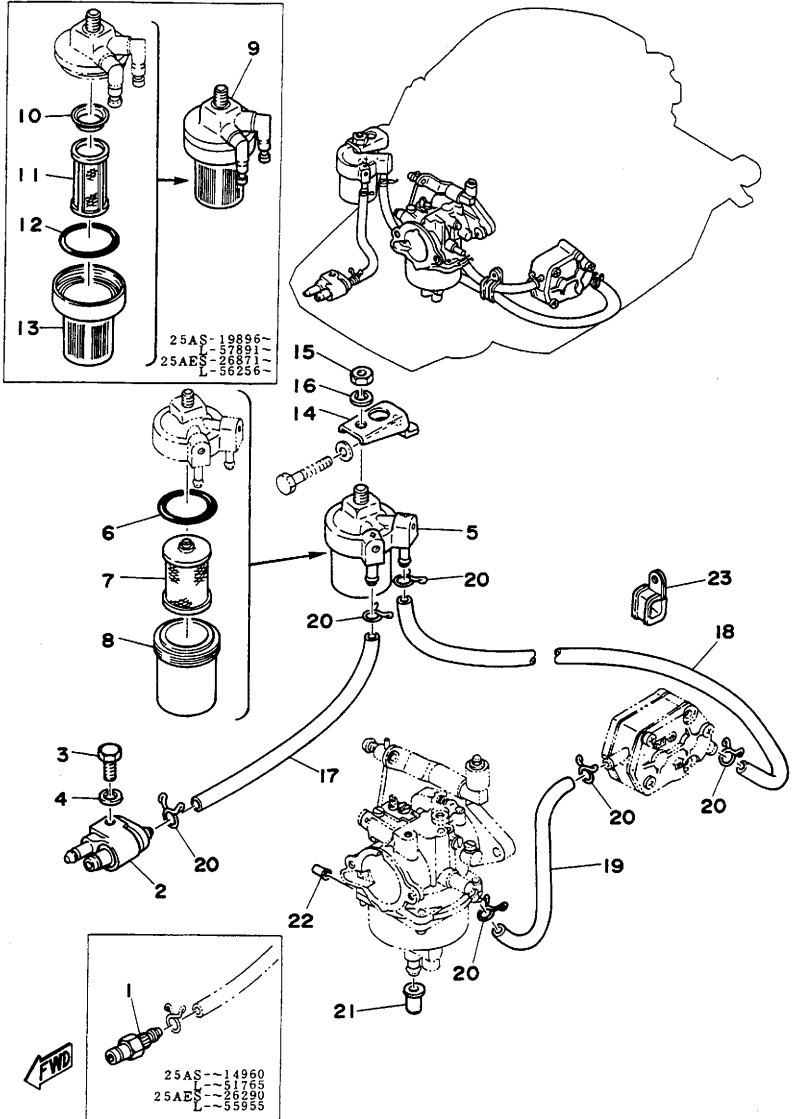
Fig. 22 FUEL PUMP



FUEL PUMP

Ref. No.	Parts No.	Description	Q'ty		Applicable Machine No.	Remarks
			25A	25AE		
22- 1	663-24410-00	FUEL PUMP ASS'Y	1	1		
22- 2	648-24411-00	. DIAPHRAGM, pump	2	2		
22- 3	648-24424-00	. PLATE, spring guide	2	2		
22- 4	648-24423-00	. SPRING, pump diaphragm	1	1		
22- 5	648-24434-00	. GASKET, body 1	2	2		
22- 6	648-24421-00	. VALVE SUB-ASS'Y	2	2		
22- 7	648-24431-00	. GASKET	2	2		
22- 8	648-24422-01	. PLATE	2	2		
22- 9	98503-03008	. SCREW, panhead	2	2		
22-10	95301-03600	. NUT, hexagon	2	2		
22-11	648-24454-00	. SPRING	1	1		
22-12	648-24435-02	. GASKET, body 2	1	1		
22-13	648-24413-01	. COVER, pump	1	1		
22-14	98503-05030	. SCREW, panhead	3	3		
22-15	92990-05100	. WASHER, spring	3	3		
★ ★ 22-16	650-24431-00	GASKET, fuel pump	1	1		
22-17	97323-06040	BOLT, hexagon	2	2		
22-18	92903-06100	WASHER, spring	2	2		

Fig. 23 PIPING



PIPING

Ref. No.	Parts No.	Description	Q'ty		Applicable Machine No.	Remarks
			25A	25AE		
23- 1	644-24304-50	FUEL PIPE JOINT COMP. 1	1	1	25AS ~ 14960 L ~ 51765 25AES ~ 26290 L ~ 55955	
23- 2	655-24304-01	FUEL PIPE JOINT COMP. 1	1	1	25AS-14961 ~ L-51766 ~ 25AES-26291 ~ L-55956 ~	
23- 3	97323-06018	BOLT, hexagon	1	1		
23- 4	92990-06100	WASHER, spring	1	1		
23- 5	648-24560-03	FILTER ASS'Y	1	1		
☆ 23- 6	648-24564-02	. PACKING	1	1	25AS ~ 19025 L ~ 7891 ~ 25AES ~ 26825 L ~ 56255	◇
23- 7	648-24563-01	. ELEMENT, filter	1	1	25AS-19896 ~ L-56256 ~	
23- 8	648-24521-03	. CUP, filter	1	1		
23- 9	* 655-24560-00	FILTER ASS'Y	1	1	25AS-19896 ~ L-56256 ~	
★ 23-10	* 655-24564-00	. PACKING, filter	1	1		
23-11	* 655-24563-00	. ELEMENT, filter	1	1		
★ 23-12	* 93210-35339	. O-RING (2.0-34.5)	1	1	25AS ~ 12275 L ~ 47259 25AES ~ 26180 L ~ 55790	
23-13	* 655-24521-00	. CUP, filter	1	1		
23-14	648-24566-01	BRACKET, filter	1	1	25AS ~ 14960 L ~ 51765 25AES ~ 26290 L ~ 55955	
23-15	95303-08600	NUT, hexagon	1	1		
23-16	92903-08100	WASHER, spring	1	1	25AS-14961 ~ L-51766 ~ 25AES-26291 ~ L-55956 ~	
23-17	90445-10141	HOSE (648-24311-00 6-10-320)	1	1		
	90445-09082	HOSE (647-24313-00 5-9-150)	1	1	25AS ~ 12275 L ~ 47259 25AES ~ 26180 L ~ 55790	
23-18	90445-10140	HOSE (648-24313-00 6-10-280)	1	1		
	656-24311-00	PIPE, fuel 1	1	1	25AS ~ 10485 L ~ 44415 25AES ~ 26140 L ~ 55660	
23-19	648-24312-01	PIPE 2 (6-10-150)	1	1		
23-20	90467-09007	CLIP	6	6	25AS-10486 ~ L-44416 ~ 25AES-26141 ~ L-55661 ~	
	90467-08004	CLIP (616-24356-00)	6	6		
23-21	648-14382-60	CAP, drain pipe	1	1	25AS ~ 10485 L ~ 44415 25AES ~ 26140 L ~ 55660	
23-22	647-14395-60	CAP, over flow pipe	1	1		
23-23	90461-10007	CLAMP (626-82361-00)	1	1	25AS-10486 ~ L-44416 ~ 25AES-26141 ~ L-55661 ~	◇
	90461-06015	CLAMP	1	1		

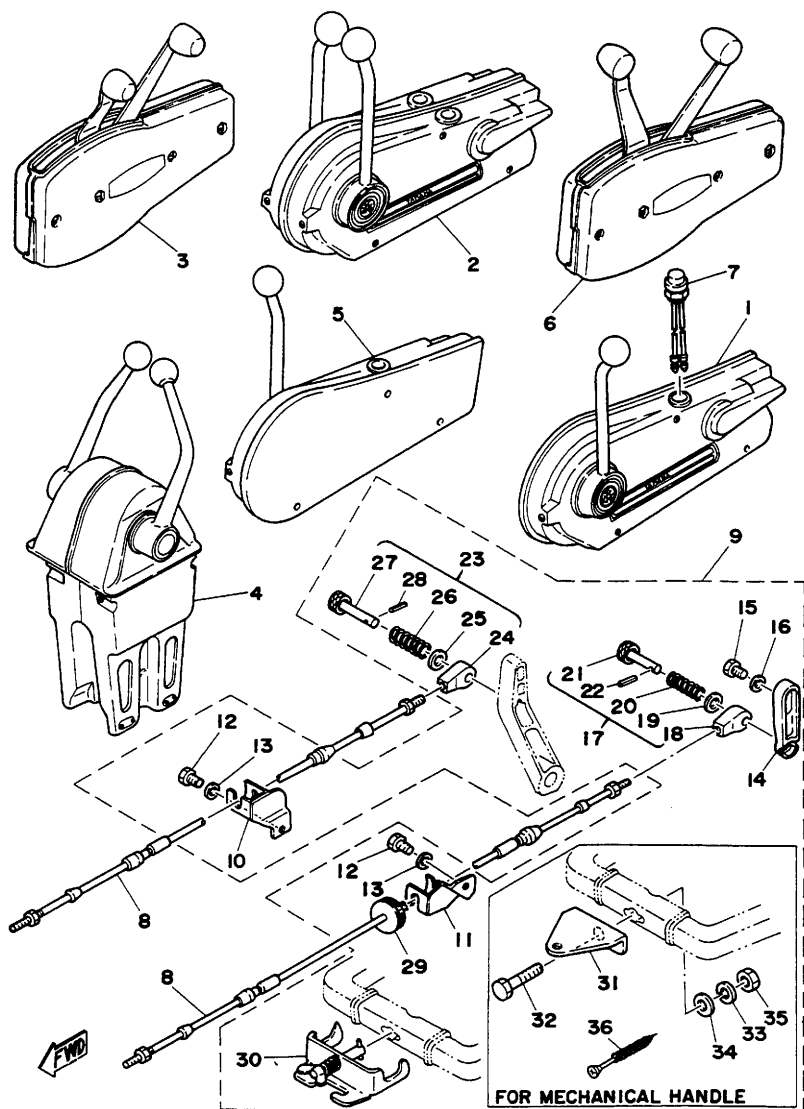
FUEL TANK

Ref. No.	Parts No.	Description	Q'ty		Applicable Machine No.	Remarks
			25A	25AE		
24- 1	663-24202-80-24	FUEL TANK ASS'Y	1	1		Light Vermilion
24- 2	663-24201-80-24	FUEL TANK COMP.	1	1		Light Vermilion
24- 3	663-24244-00	. . GRAPHIC, side	2	2		
24- 4	663-24245-00	. . GRAPHIC	1	1		
24- 5	802-24610-00	. CAP ASS'Y	1	1		
24- 6	663-24275-00	. FUEL METER COMP.	1	1		
24- 7	663-24268-00	. GASKET, housing fuel meter	1	1		
24- 8	98580-05015	. SCREW, panhead	4	4		
24- 9	630-24329-00	. SEAL	4	4		
24-10	630-24269-01	. GASKET, support indicator	1	1		
24-11	630-24263-01	. LENS, indicator	1	1		
24-12	630-24262-01	. SUPPORT, indicator	1	1		
24-13	98503-05010	. SCREW, panhead	2	2		
24-14	663-24241-00	. INDICATOR	1	1		
24-15	663-24264-00	. FLOAT	1	1		
24-16	656-24310-80	FUEL PIPE ASS'Y	1	1	25AS-14960 L-51765 25AES-26290 L-55955 25AS-14961 L-51766 25AES-26291 L-55956	
	663-24310-60	FUEL PIPE ASS'Y	1	1		
24-17	655-24305-00	. FUEL PIPE JOINT COMP. 2	1	1		
24-18	93210-08287	. . O-RING (3.0-8.0)	1	1		
24-19	663-24397-00	. COLLAR	1	1		
24-20	650-24360-01	. PRIMARY PUMP ASS'Y	1	1		
24-21	90445-12207	. HOSE (6-2400)	1	1		
24-22	90445-12155	. HOSE (650-24313-00 6-1000)	1	1		
24-23	650-24351-00	. BAND, fuel pipe	4	4		
24-24	644-24305-50	. FUEL PIPE JOINT COMP. 2	1	1	25AS-14960 L-51765 25AES-26290 L-55955	
24-25	655-24305-00	. FUEL PIPE JOINT COMP. 2	1	1		
24-26	93210-08287	. . O-RING (3.0-8.0)	1	1	25AS-14961 L-51766 25AES-26291 L-55956	

OPTIONAL PARTS



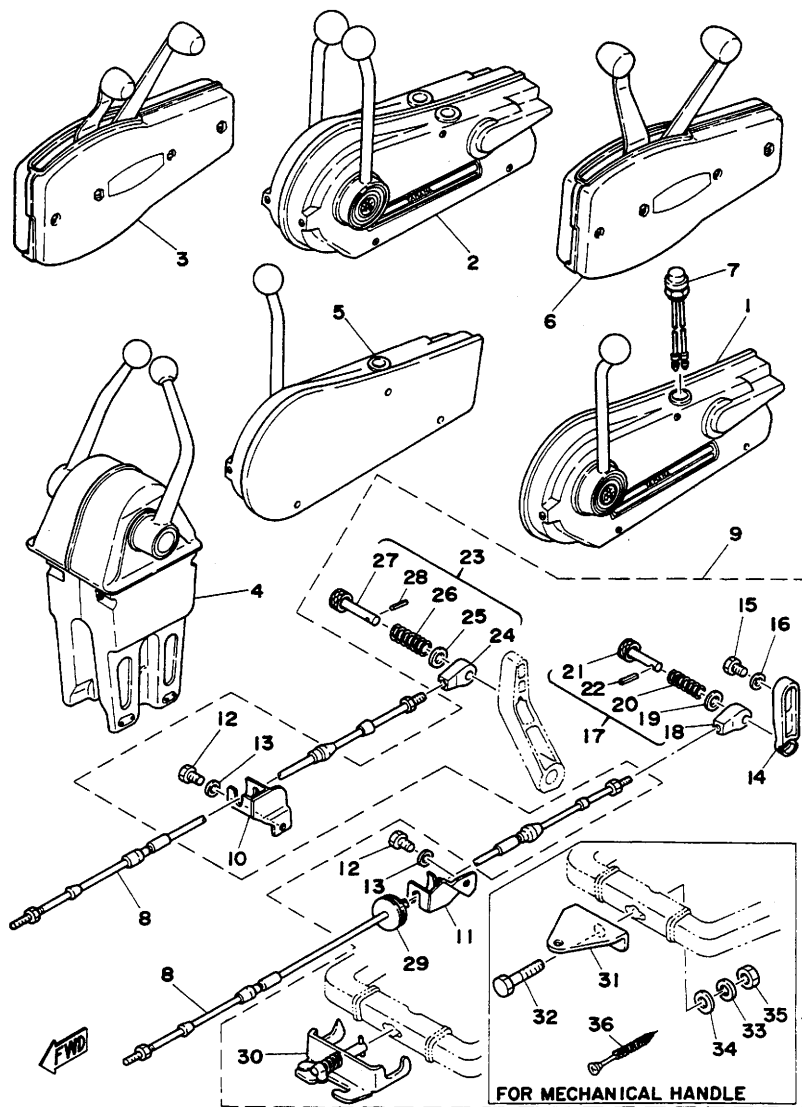
Fig. 25 REMOTE CONTROL



REMOTE CONTROL

Ref. No.	Parts No.	Description	Q'ty		Applicable Machine No.	Remarks
			25A	25AE		
25- 1	701-48110-10	REMOTE CONTROL ASS'Y 1	1	1		Single
25- 2	701-48110-20	REMOTE CONTROL ASS'Y 2	1	1		Twin
25- 3	701-48110-30	REMOTE CONTROL ASS'Y 3	1	1		Double
25- 4	701-48110-80	REMOTE CONTROL ASS'Y 8	1	1		M.T. Twin
25- 5	701-48120-10	REMOTE CONTROL ASS'Y 1	1	1	} For Left Handle	Single
25- 6	701-48120-30	REMOTE CONTROL ASS'Y 3	1	1		Double
25- 7	701-82550-50	STOP SWITCH ASS'Y	1	1		
25- 8	701-48310-10	CABLE, remote control 6F	2	2		6 feet
	701-48310-20	CABLE, remote control 7F	2	2		7 feet
	701-48310-40	CABLE, remote control 8F	2	2		8 feet
	701-48310-60	CABLE, remote control 9F	2	2		9 feet
	701-48310-90	CABLE, remote control 11F	2	2		11 feet
	701-48320-00	CABLE, remote control 12F	2	2		12 feet
	701-48320-20	CABLE, remote control 13F	2	2		13 feet
	701-48320-30	CABLE, remote control 14F	2	2		14 feet
	701-48320-50	CABLE, remote control 15F	2	2		15 feet
	701-48320-60	CABLE, remote control 16F	2	2		16 feet
25- 9	656-48501-00	REMOTE CONTROL ATTACHMENT ASS'Y	1	1		
	656-48501-10	REMOTE CONTROL ATTACHMENT ASS'Y	1	1		For Mechanical handle
	25-10	648-48531-50	. BRACKET, remote control 1 ...	1	1	
25-11	648-48532-50	. BRACKET, remote control 2 ...	1	1		
25-12	97370-06015	. BOLT, hexagon	2	2		
25-13	92990-06600	. WASHER, plate	2	2		
25-14	648-48534-50-F6	. THROTTLE LEVER, control ...	1	1		Metallic Ocean Blue
25-15	97370-06012	. BOLT, hexagon	1	1		
25-16	92990-06600	. WASHER, plate	1	1		

Fig. 25 REMOTE CONTROL



REMOTE CONTROL

Ref. No.	Parts No.	Description	Q'ty		Applicable Machine No.	Remarks
			25A	25AE		
25-17	617-48340-90	. CABLE END ASS'Y	1	1		Throttle
25-18	617-48346-90	. . CABLE END, remote control..	1	1		
25-19	92990-08200	. . WASHER, plain	1	1		
25-20	90501-10264	. . SPRING, cable hook (617-48332-90)	1	1		
25-21	617-48361-90	. . HOOK, cable 2	1	1		
25-22	91690-30012	. . PIN, spring	1	1		
25-23	648-48330-50	. CABLE END ASS'Y	1	1		Gear shift
25-24	648-48346-50	. . CABLE END, remote control 3	1	1		
25-25	92990-08200	. . WASHER, plain	1	1		
25-26	90501-10071	. . SPRING, cable hook (604-48332-00)	1	1		
25-27	617-48331-90	. . HOOK, cable 1	1	1		
25-28	91690-30012	. . PIN, spring	1	1		
25-29	90480-22039	. GROMMET (648-48565-50).....	1	1		
25-30	700-48510-11	. STEERING HOOK ASS'Y	1	1		

FOR MECHANICAL HANDLE

25-31	648-48511-00	. HOOK, steering	1	1		
25-32	97370-10040	. BOLT, hexagon	1	1		
25-33	92990-10100	. WASHER, spring	1	1		
25-34	92990-10600	. WASHER, plate	1	1		
25-35	95380-10600	. NUT, hexagon	1	1		
25-36	95480-51075	. SCREW, ovalhead wood	2	2		

NUMERICAL INDEX



NUMERICAL INDEX

Ref No.	Parts No.	Ref No.	Parts No.	Ref No.	Parts No.
18-24	123-83516-21	23-22	647-14395-60	4- 1	648-14301-09
15-14	164-81246-21	19-49	647-15780-01	4-21	648-14321-00
16-17	164-81246-21	11-33	647-42119-02	4-20	648-14323-00
15-17	207-81331-10	11-30	647-42137-01	4-19	648-14331-00
16-16	207-81331-10	11-32	647-42137-02	4-22	648-14334-00
11-14	606-42591-00	11-34	647-42177-00	4-26	648-14335-01
8-34	616-43118-00-F6	6-29	647-44147-00	4- 2	648-14341-00
6-16	616-45251-30	15- 8	647-81311-10	4- 3	648-14342-30
14-14	616-83180-30	15- 9	647-81312-10	4- 4	648-14343-70
25-27	617-48331-90	15-19	647-81313-41	4- 5	648-14344-35
25-17	617-48340-90	15-10	647-81318-10	4-25	648-14371-01
25-18	617-48346-90	16-11	647-81318-10	4-28	648-14372-02
25-21	617-48361-90	15-11	647-81323-10	4-29	648-14374-01
19-17	619-15755-01	16-12	647-81323-10	4-23	648-14375-00
1- 8	624-11379-00	16-21	647-81324-10	4-27	648-14378-00
1- 3	624-14485-00	15-16	647-81325-11	23-21	648-14382-60
1-16	624-14588-01	16-15	647-81325-11	4-11	648-14384-01
14- 5	624-82370-00	1-22	648-11111-09-94	4- 7	648-14385-00
4-24	626-14326-00	1-12	648-11175-00	4- 8	648-14386-00
21-31	626-28193-01-94	1-25	648-11175-00	4- 6	648-14390-14
4-36	626-41231-00	1-23	648-11181-02	3- 1	648-14417-00
20-20	626-42658-00	2- 1	648-11400-61	3- 3	648-14451-00
7- 6	626-44365-01	2- 2	648-11412-01	3- 4	648-14461-00
21-16	626-45119-00	2- 3	648-11422-01	1- 1	648-15100-09-94
6-18	626-45215-00	2- 4	648-11432-01	1-32	648-15359-00-94
6-39	626-45526-00	2- 5	648-11442-02	1-34	648-15369-00
6-41	626-45534-00-04	2-22	648-11633-00	19- 9	648-15705-00
6-67	626-45616-01	2-29	648-11650-00	19-10	648-15717-00
6-69	626-45943-02-36	2- 6	648-11651-01	19- 7	648-15741-01
6-69	626-45949-01-36	2- 9	648-11681-00	19-14	648-15758-00-F6
24-12	630-24262-01	1-29	648-12413-02-94	20-27	648-15761-00
24-11	630-24263-01	1-28	648-12414-01	19-19	648-15771-00-94
24-10	630-24269-01	1-27	648-12418-00	19-20	648-15772-00-94
24- 9	630-24329-00	5- 7	648-12494-00	19- 3	648-15773-00
23- 1	644-24304-50	3-20	648-13610-00	23-19	648-24312-01
24-24	644-24305-50	3-21	648-13621-00	22- 2	648-24411-00
4-17	646-14223-01	3-15	648-13641-01-94	22-13	648-24413-01
4-16	646-14394-00	3-19	648-13645-00	22- 6	648-24421-00
4-18	646-14397-00	3-12	648-14198-00	22- 8	648-24422-01

NUMERICAL INDEX

Ref No.	Parts No.	Ref No.	Parts No.	Ref No.	Parts No.
22- 4	648-24423-00	11-25	648-42138-00	12-13	648-44142-00
22- 3	648-24424-00	13-39	648-42153-01-F6	12-20	648-44143-00
22- 7	648-24431-00	13-36	648-42154-01-94	6-20	648-44145-00
22- 5	648-24434-00	13-31	648-42169-01	12-21	648-44146-00
22-12	648-24435-02	8-10	648-42521-01-F6	6-23	648-44150-00
22-11	648-24454-00	8- 5	648-42528-00	6-23	648-44150-10
23- 8	648-24521-03	20-28	648-42615-00	20-16	648-44191-02
23- 5	648-24560-03	20-19	648-42647-00	7- 1	648-44311-00
23- 7	648-24563-01	20-17	648-42651-00	7- 7	648-44361-01
23- 6	648-24564-02	20- 3	648-42675-01	7- 7	648-44361-11
23-14	648-24566-01	20- 3	648-42675-02	7- 9	648-44365-01
13-42	648-26311-01	20- 4	648-42676-01	10- 1	648-44508-00-F6
13-43	648-26317-00	20- 4	648-42676-02	10-13	648-44516-02
1-39	648-41111-00	20-10	648-42686-00	10-21	648-44517-00
1-37	648-41113-09-94	20-11	648-42687-00	10- 6	648-44519-00-F6
1-38	648-41114-01	21- 1	648-42710-09-F6	10-25	648-44551-01-F6
5- 6	648-41130-00-94	12- 9	648-42715-00	10-26	648-44552-01-F6
4-39	648-41210-01	10-20	648-42716-00	10-30	648-44555-02
13-13	648-41213-00-94	10-10	648-42718-00	10-35	648-44557-03
4-32	648-41216-00	21-10	648-42761-00	10-14	648-44591-00
4-34	648-41216-01	21-13	648-42791-01	10-31	648-44591-00
3-25	648-41227-00	21- 4	648-42815-00-F6	10-15	648-44592-00
4-40	648-41241-01	21- 8	648-42816-00	10-36	648-44593-00
3-30	648-41252-01	8-16	648-43111-02-F6	6- 7	648-45312-00-F6
3-35	648-41256-00	8-17	648-43112-02-F6	6- 8	648-45314-00
3-27	648-41257-01	8-36	648-43114-01	6- 2	648-45316-09
3-26	648-41292-01	8-19	648-43136-00	6-64	648-45361-01-94
13- 1	648-41611-00-94	8-24	648-43192-00-F6	6-43	648-45533-00-02
13- 2	648-41612-01	8- 1	648-43311-09-F6	6-43	648-45533-00-03
13- 5	648-41615-00	9-10	648-43614-00-F6	6-45	648-45551-00
13- 5	648-41615-01	9-12	648-43615-00-F6	6-50	648-45560-01
13- 8	648-41616-00	9- 3	648-43616-00	6-49	648-45567-00-02
13-21	648-41631-00-94	9- 8	648-43617-00	6-49	648-45567-00-03
13-27	648-41635-00	9- 1	648-43631-00	6-60	648-45570-01
13-26	648-41636-00	9- 4	648-43633-00	6-61	648-45577-00-13
13-26	648-41636-01	9- 9	648-43642-00	6-61	648-45577-00-15
13-24	648-41656-00	12- 1	648-44111-00-F6	6-61	648-45577-00-17
13-16	648-41661-00-94	12-14	648-44121-00	6-57	648-45611-01
11-18	648-42112-00-F6	12-16	648-44125-00	6-52	648-45633-00

NUMERICAL INDEX

Ref No.	Parts No.	Ref No.	Parts No.	Ref No.	Parts No.
6-55	648-45634-00	15- 3	648-81891-00	6-26	650-44152-01
6-47	648-45635-00	16- 4	648-81891-00	6-34	650-45321-00
6-69	648-45926-01-38	17-27	648-81893-40	6-67	650-45616-00
6-69	648-45941-01-36	14-10	648-81970-41	6-69	650-45941-01-36
6-69	648-45941-61-36	18- 1	648-81970-41	15-13	650-81321-10
6-69	648-45945-61-36	14-11	648-81977-40	16-14	650-81321-10
25-23	648-48330-50	18- 2	648-81977-40	14- 1	650-82310-12
25-24	648-48346-50	14-12	648-81978-40	14- 2	650-82340-10
25-31	648-48511-00	18- 3	648-81978-40	14- 7	650-82370-00
25-10	648-48531-50	14-13	648-82151-41	23- 2	655-24304-01
25-11	648-48532-50	18- 4	648-82151-41	24-17	655-24305-00
25-14	648-48534-50-F6	18-20	648-82502-40	24-25	655-24305-00
15- 1	648-81300-63	18-18	648-82508-40	1-19	655-24312-00
15- 7	648-81309-12	1-43	648-82544-00	23-13	655-24521-00
16- 8	648-81309-12	21-14	648-82550-01	23- 9	655-24560-00
15-18	648-81315-10	18-16	648-82570-40	23-11	655-24563-00
16-19	648-81315-10	18-17	648-82571-40	23-10	655-24564-00
15- 2	648-81350-11	18-26	648-82572-40	16- 9	655-81311-A0
15-24	648-81362-00	18-21	648-82573-40	16-10	655-81312-A0
15-21	648-81365-00	18-27	648-82580-40	16-20	655-81313-A0
17- 1	648-81800-41	18-19	648-82584-40	14- 1	655-82310-11
17- 9	648-81809-40	18-25	648-82594-40	1-22	656-11111-02-94
17-13	648-81810-40	18-23	648-83583-40	1-14	656-11165-00
17-15	648-81811-40	18-22	648-84301-40	1-23	656-11181-03
17-16	648-81812-40	18-10	648-84380-40	1-13	656-11325-01
17-17	648-81813-40	18- 6	648-86110-40	2-10	656-11515-00
17-18	648-81814-40	1- 7	650-11370-00	2-20	656-11610-01
17-20	648-81820-40	4-15	650-14223-00	2-21	656-11610-11
17-21	648-81826-40	4-14	650-14394-01	2-21	656-11610-21
17-19	648-81827-40	1- 4	650-14485-02	2-18	656-11631-60-96
17- 4	648-81828-40	1- 6	650-14485-02	2-18	656-11631-60-97
17- 8	648-81829-40	24-23	650-24351-00	2-18	656-11631-60-98
17- 3	648-81830-41	24-20	650-24360-01	2-19	656-11635-60
17-11	648-81832-40	22-16	650-24431-00	2-19	656-11636-60
17-10	648-81839-40	20- 9	650-42681-00	1-26	656-12411-01
17- 7	648-81846-40	20-13	650-42693-00	1-29	656-12413-01
17-12	648-81850-40	20-15	650-42693-00	4- 1	656-14301-03
17- 2	648-81860-40	6-32	650-44147-00	4- 1	656-14301-04
17-14	648-81862-40	6-24	650-44152-01	4-26	656-14335-00

NUMERICAL INDEX

Ref No.	Parts No.	Ref No.	Parts No.	Ref No.	Parts No.
4-23	656-14375-00	20- 1	656-42610-61-F6	5-10	656-45211-11-F6
4- 9	656-14381-00	20- 2	656-42610-62-F6	6-10	656-45214-00-F6
4-10	656-14381-02	20- 2	656-42610-80-F6	6- 1	656-45301-00-F6
13-18	656-14497-00	20-21	656-42647-00	6-35	656-45511-00
1- 1	656-15100-00-94	20-23	656-42662-00	6-35	656-45511-10
1- 2	656-15100-60-94	20-24	656-42663-00	6-53	656-45631-00
1- 5	656-15100-62-94	20-25	656-42664-00	6-69	656-45943-61-36
1-32	656-15359-00-94	20-26	656-42665-00	25- 9	656-48501-00
19- 9	656-15705-00	20- 5	656-42675-00	25- 9	656-48501-10
19- 1	656-15710-01-F6	20- 7	656-42675-01	18-11	656-82105-40
19- 2	656-15711-01-F6	20- 7	656-42675-02	18-31	656-82540-41
19- 6	656-15714-00-94	20- 6	656-42676-00	18-30	656-82586-40
19-32	656-15748-00	20- 8	656-42676-01	18-28	656-82590-40
19-37	656-15749-00	20- 8	656-42676-02	18- 6	656-86110-40
19-34	656-15770-00	21- 1	656-42710-00-F6	3-39	661-41262-02
19-43	656-15774-00	21-23	656-42816-00	4-43	661-41262-02
18-32	656-15774-41	8-16	656-43111-01-F6	24- 2	663-24201-80-24
19-31	656-15777-00	8-17	656-43112-02-F6	24- 1	663-24202-80-24
24-16	656-24310-80	8-18	656-43131-00	24-14	663-24241-00
23-18	656-24311-00	9-15	656-43160-00	24- 3	663-24244-00
21-30	656-28100-60	9-19	656-43160-01	24- 4	663-24245-00
1-39	656-41111-01	9-16	656-43165-00	24-15	663-24264-00
1-37	656-41113-00-94	9-20	656-43165-01	24- 7	663-24268-00
1-38	656-41114-02	8-23	656-43191-00	24- 6	663-24275-00
4-42	656-41241-00	8- 1	656-43311-00-F6	24-16	663-24310-60
3-30	656-41252-00	9- 1	656-43631-00	24-19	663-24397-00
3-42	656-41252-01	12- 3	656-44111-80-F6	22- 1	663-24410-00
3-38	656-41256-00	12- 7	656-44113-00	8-15	663-45119-00
3-40	656-41271-00	12- 7	656-44113-01	10-12	663-45119-00
11- 7	656-42111-00-F6	6-25	656-44150-00	18-38	663-82151-00
11- 8	656-42111-02-F6	6-31	656-44150-01	14- 6	663-82370-01
11-20	656-42112-00-F6	6-25	656-44150-10	14-16	663-82556-70
11-27	656-42115-00	6-31	656-44150-11	3- 2	664-14417-00
11-29	656-42126-00	7- 3	656-44323-00	13-45	664-26311-00
11- 9	656-42126-01	7- 2	656-44352-02	13-45	664-26311-01
13-39	656-42153-00-F6	6-36	656-44355-00	21- 2	664-42711-00-F6
13-37	656-42154-00-94	7- 7	656-44361-00	21-25	664-42724-00
11-17	656-42155-00	7- 7	656-44361-10	18-41	664-42724-40
11- 1	656-42511-01-F6	5- 1	656-45111-01-F6	21-20	664-42815-00-F6
		5- 2	656-45113-00		

NUMERICAL INDEX

Ref No.	Parts No.	Ref No.	Parts No.	Ref No.	Parts No.
16- 1	664-81300-A0	3-17	90116-06147	2- 8	90209-22071
16- 1	664-81300-F0	8-27	90116-08105	8- 6	90209-47016
16- 3	664-81350-A0	19-30	90116-08224	3-44	90240-05044
16- 2	664-81350-F0	19-35	90123-06049	9-13	90240-05046
18- 5	664-81970-60	13-46	90123-06065	8- 3	90241-03001
18-40	664-82105-00	6-14	90149-06003	8-35	90243-04001
18-37	664-82150-01	9- 5	90149-08004	6-37	90249-04023
14-17	664-82521-00	8-12	90149-08005	13-34	90249-05014
18-42	664-82521-00	8-33	90149-14030	9- 6	90249-06120
18-43	664-82531-00	1-15	90150-04008	6-54	90250-05010
21-26	664-82550-00	18-51	90161-06001	6-58	90250-05011
14-15	664-82575-41	13-47	90170-06183	20-18	90266-04002
18-28	664-82590-00	12-22	90170-07021	20-22	90266-04012
25-30	700-48510-11	15-22	90170-12066	11-31	90269-02001
25- 1	701-48110-10	13-44	90179-06040	2-28	90280-05013
25- 2	701-48110-20	20-12	90183-05003	8- 4	90334-04002
25- 3	701-48110-30	20-14	90183-05003	6-19	90334-10008
25- 4	701-48110-80	11-11	90185-06062	6-12	90340-08014
25- 5	701-48120-10	3-46	90201-05028	13-25	90380-06001
25- 6	701-48120-30	21-27	90201-06068	10- 3	90380-10010
25- 8	701-48310-10	19-12	90201-08309	10- 2	90380-12012
25- 8	701-48310-20	8-21	90201-10130	21- 3	90380-13013
25- 8	701-48310-40	15-23	90201-12472	4-38	90386-05002
25- 8	701-48310-60	6-51	90201-14482	11-24	90386-08032
25- 8	701-48310-90	6-59	90201-17485	13-41	90386-10009
25- 8	701-48320-00	2-17	90201-18522	21-22	90386-12069
25- 8	701-48320-20	1-27	90201-21567	8- 9	90386-38022
25- 8	701-48320-30	2-24	90201-50306	8- 7	90386-38090
25- 8	701-48320-50	12-12	90202-06007	8- 2	90386-47091
25- 8	701-48320-60	12-15	90202-10024	8- 2	90386-47092
25- 8	701-48320-80	12- 6	90202-12031	3- 5	90387-06029
25- 8	701-48320-90	21- 7	90202-13034	3- 6	90387-06494
25- 7	701-82550-50	11- 5	90202-34043	19-48	90387-06568
24- 5	802-24610-00	3-45	90206-05005	8-26	90387-09074
7- 4	90101-06M03	19-39	90206-05005	6-15	90430-06015
8-30	90101-08339	19-42	90206-08010	6-13	90430-08020
8-18	90101-10107	21-21	90206-12052	5- 8	90430-09025
19-46	90109-06258	21- 5	90206-13019	1-20	90445-07258
3-17	90116-06119	11-16	90206-14020	23-17	90445-09082
3-16	90116-06122				

NUMERICAL INDEX

Ref No.	Parts No.	Ref No.	Parts No.	Ref No.	Parts No.
23-18	90445-10140	1-17	90501-02223	3-32	91790-05022
23-17	90445-10141	6-56	90501-10065	6-17	92180-06018
7- 8	90445-11285	25-26	90501-10071	21-11	92280-06012
24-22	90445-12155	19-33	90501-10227	6-28	92380-06012
24-21	90445-12207	25-20	90501-10264	11-19	92380-06020
18-47	90446-10105	12-10	90501-12082	1-35	92503-06020
18-48	90446-15104	8-13	90501-16099	6-33	92590-06010
18-46	90461-06015	11-28	90501-16375	5- 9	92780-06015
23-23	90461-06015	11- 6	90501-20001	10-18	92880-10200
23-23	90461-10007	11-12	90501-23215	10-34	92880-10200
18-45	90462-10018	11-28	90501-23215	10-33	92890-10700
18-39	90462-10021	9-18	90502-10014	15-15	92901-04100
18-53	90464-18018	8-20	90504-59006	16-18	92901-04100
14- 8	90465-06038	9-11	90506-30055	17-24	92901-04100
18-44	90465-10071	3-34	90508-09182	15-12	92901-05100
1-43	90465-20061	9- 2	90508-16018	16-13	92901-05100
18-14	90465-20061	19- 4	90510-08002	3- 8	92903-05100
1-21	90467-06016	11-15	90560-14076	13- 4	92903-05100
23-20	90467-08004	19-18	90580-05003	13-29	92903-05100
23-20	90467-09007	4-33	91490-12008	13-38	92903-05100
3-37	90468-10004	3-33	91490-16010	17-22	92903-05100
4-41	90468-10004	9-14	91490-16010	18-36	92903-05100
3-29	90468-10005	12- 8	91490-16010	3-11	92903-05300
3-47	90468-10005	19-40	91490-16010	3- 9	92903-05600
13-33	90468-10005	18- 9	91490-20015	13-15	92903-05600
21-19	90480-10009	12-17	91490-25012	13-30	92903-05600
3-41	90480-12154	6-68	91490-30030	13-32	92903-05600
21-29	90480-12156	9-17	91690-30008	19-38	92903-05600
21-17	90480-14022	9-21	91690-30008	1-31	92903-06100
18-29	90480-16024	25-22	91690-30012	1-36	92903-06100
18-52	90480-17165	25-28	91690-30012	1-42	92903-06100
21-18	90480-19030	8-25	91690-30016	3-24	92903-06100
18-13	90480-19031	11-26	91690-30025	13-12	92903-06100
25-29	90480-22039	3-43	91690-40016	13-20	92903-06100
21-12	90480-22041	12-18	91690-40016	13-23	92903-06100
18-12	90480-22042	13-40	91690-40018	15- 5	92903-06100
14- 9	90480-25161	19- 5	91690-40020	16- 6	92903-06100
11- 4	90480-29045	12- 2	91690-40022	17- 5	92903-06100
21-19	90480-29045	13-40	91690-40022	18-34	92903-06100

NUMERICAL INDEX

Ref No.	Parts No.	Ref No.	Parts No.	Ref No.	Parts No.
18-50	92903-06100	5- 5	92990-08100	2-11	93390-00009
19-16	92903-06100	5-13	92990-08100	6-46	93410-12003
19-23	92903-06100	6- 5	92990-08100	4-35	93430-04031
19-25	92903-06100	8-29	92990-08100	9- 7	93430-05027
19-45	92903-06100	8-32	92990-08100	19- 8	93430-06005
22-18	92903-06100	10-38	92990-08100	2-12	93440-62021
16- 7	92903-06200	25-19	92990-08200	2-13	93440-62057
3-14	92903-06600	25-25	92990-08200	2-23	93450-20026
14- 4	92903-06600	5-14	92990-08600	12-11	93501-04011
15- 6	92903-06600	6- 6	92990-08600	1-18	93501-08001
19-41	92903-06600	10-22	92990-08600	2-16	93602-20115
19-27	92903-08100	25-33	92990-10100	6-65	93604-09068
23-16	92903-08100	10-19	92990-10200	1- 9	93606-12019
19-29	92903-08200	10-32	92990-10200	5- 3	93606-12019
3-36	92990-03200	11-13	92990-10600	5-11	93606-12019
4-13	92990-04100	11-29	92990-10600	6- 3	93606-12019
4-31	92990-04100	25-34	92990-10600	10- 7	93606-12019
18- 8	92990-04100	6-63	93101-17054	8-11	93608-12063
4-46	92990-05100	6-38	93101-20048	8-14	93700-06004
22-15	92990-05100	1-33	93102-23096	10-11	93700-06004
3-28	92990-05200	2-26	93102-25097	21-15	93700-06004
4-37	92990-05200	2-26	93102-25114	1-44	94701-00040
3-31	92990-05200	2-27	93104-14047	22-10	95301-03600
12-19	92990-05600	24-18	93210-08287	17- 6	95301-06600
6-22	92990-06100	24-26	93210-08287	13-28	95303-05600
10- 5	92990-06100	21- 6	93210-10107	13-35	95303-05600
10- 9	92990-06100	6-27	93210-14104	4-45	95303-05700
10-17	92990-06100	6-40	93210-14106	3-13	95303-06600
11- 3	92990-06100	2-25	93210-14167	3-18	95303-06600
11-23	92990-06100	23-12	93210-35339	13-11	95303-06600
12- 5	92990-06100	8- 8	93210-37160	19-36	95303-06600
21-28	92990-06100	6-66	93210-45161	21- 9	95303-06700
23- 4	92990-06100	6-62	93306-20309	19-13	95303-08600
6-30	92990-06600	6-48	93306-20529	19-28	95303-08600
7- 5	92990-06600	2-14	93306-30516	23-15	95303-08600
13- 7	92990-06600	2-15	93310-21889	10-23	95303-08700
15-26	92990-06600	2- 7	93310-522A4	8-28	95380-08600
25-13	92990-06600	6-42	93318-32204	8-31	95380-08600
25-16	92990-06600	6-44	93341-22008	10-24	95380-08700

NUMERICAL INDEX

Ref No.	Parts No.	Ref No.	Parts No.	Ref No.	Parts No.
8-22	95380-10600	22-17	97323-06040		
25-35	95380-10600	19-26	97323-08020		
25-36	95480-51075	19-11	97323-08025		
18-33	97303-06012	25-15	97370-06012		
15- 4	97303-06018	6-21	97370-06015		
16- 5	97303-06018	10-16	97370-06015		
18-15	97303-06040	25-12	97370-06015		
1-11	97313-08045	10- 8	97370-06018		
1-24	97313-08045	11- 2	97370-06020		
1-10	97313-08055	10- 4	97370-06025		
1-11	97313-08060	12- 4	97370-06025		
13-14	97323-05012	10-37	97370-08015		
3- 7	97323-05040	5- 4	97370-08025		
13- 6	97323-06010	5-12	97370-08025		
13- 9	97323-06010	6- 4	97370-08025		
21-24	97323-06010	5- 4	97370-08030		
15-25	97323-06012	5-12	97370-08030		
19-44	97323-06012	6- 4	97370-08030		
13-19	97323-06015	25-32	97370-10040		
18-49	97323-06015	11-10	97380-06020		
19-15	97323-06015	6- 9	97470-06025		
13-17	97323-06018	10-29	97470-08020		
23- 3	97323-06018	10-28	97470-08050		
1-30	97323-06020	10-27	97470-08080		
3-23	97323-06020	13- 3	97803-05010		
11-21	97323-06020	18-35	97803-05025		
13-10	97323-06020	6-11	98180-05015		
19-24	97323-06020	11-35	98180-05025		
19-47	97323-06020	18- 7	98303-04008		
1-41	97323-06025	15-20	98502-05030		
14- 3	97323-06025	22- 9	98503-03008		
19-21	97323-06025	4-30	98503-04008		
1-40	97323-06030	4-12	98503-04012		
13-22	97323-06030	17-23	98503-04012		
3-22	97323-06035	4-44	98503-05010		
11-22	97323-06035	24-13	98503-05010		
17-25	97323-06035	22-14	98503-05030		
17-26	97323-06040	3-10	98503-05035		
19-22	97323-06040	24- 8	98580-05015		





YAMAHA MOTOR CO., LTD.

PRINTED IN JAPAN
First edition Aug., 1976
(656-28198-E5)